

Technical specifications

Filex Galaxy monitor arm

Filex
Workspace Solutions



Modular components



Key features



90° rotation stop



The gas spring of the Filex monitor arm can handle a weight of 2 - 12 kg



Integrated cable management



Easy to adjust in height and depth



The Filex Galaxy series are patented.



The VESA quick release is attached to the monitor with screws without additional tools.



Suitable for multiple displays



Easy attachment by VESA quick release for mounting different monitors



100% recyclable and made from 98.8% sustainable materials



Includes 5 year warranty

Clamps overview



1. Filex Galaxy Blade Clamp

The Filex Galaxy leaf clamp! Clamp your Galaxy monitor arm to your desktop in a stable and neat way, before you want to mount the post on the clamp? And avoid having to make holes in your desk? Then you're in the right place with this leaf clamp!

2. Filex Galaxy leaf clamp including leaf grommet

The Filex Galaxy desktop clamp including transit! Do you want to clamp your Galaxy monitor arm in a stable and neat manner to your desktop or mount it through your desk and neatly hide all cables? By using this clamp you have direct access to the mounting of a Galaxy arm!

3. Filex Galaxy leaf grommet

The Filex Galaxy leaf pass-through! Mount your Galaxy monitor arm directly through your desktop for a clear view? Also hiding your cables? This is all possible with this grommet!

4. Filex Galaxy Topdown desktop clamp-through

The Filex Galaxy Topdown leaf clamp including transit through the leaf! The perfect solution if you want to remain flexible in every possible and imaginable construction and configuration of your Galaxy monitor arm and can also be mounted from above! A post on the clamp/pass-through? No problem! Still want to mount a Galaxy arm directly on your clamp/throughput? This is also quickly arranged with just the addition of the Galaxy Adapter!



5. Filex Galaxy Adapter for Topdown blade clamp-through.

The Filex Galaxy Adapter! Just that extra addition that allows you to build directly from your Galaxy Topdown clamp/through with an arm part instead of a post!

6. Filex Galaxy Sliding blade clamp

The Filex Galaxy blade clamp for a sliding blade! Whether you have a faceted blade, an integrated cable grommet under the back of your desktop or you just have a little less space behind your desktop from placing a clamp? Then this clamp is the solution for you!

7. Filex Galaxy Universal Toolbar Wall Clamp

The Filex Galaxy Universal Toolbar / Wall Clamp! Would you like a monitor arm which you can attach to any wall? Or attach your monitors to your Galaxy Toolbar? Then you have come to the right product! This Galaxy universal Toolbar and wall clamp will help you to mount your Galaxy monitor arm the way you want!



We make work easy.



1. Filex Galaxy Blade Clamp

With the standard Filex Galaxy Blade Clamp, you can mount the monitor arm stably on the desk in a neat and tight way. The economical sturdy clamp is modular.

809450 - White

809451 - Silver

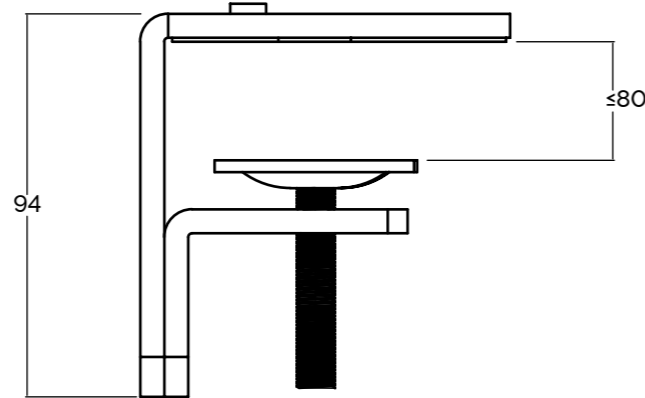
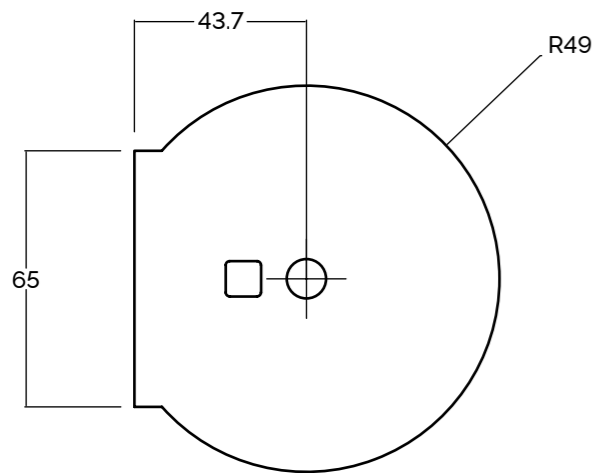
809452 - Black



Clamping range
80mm



Mounting by Inbus



2. Filex Galaxy Leaf Clamp including leaf grommet

This clamp allows the Filex Galaxy monitor arm to be mounted to or through the desktop. The clamp has an integrated cable grommet. This clamp can be used directly with 1 of the Filex arm parts. This clamp is not extendable.

809453 - White

809454 - Silver

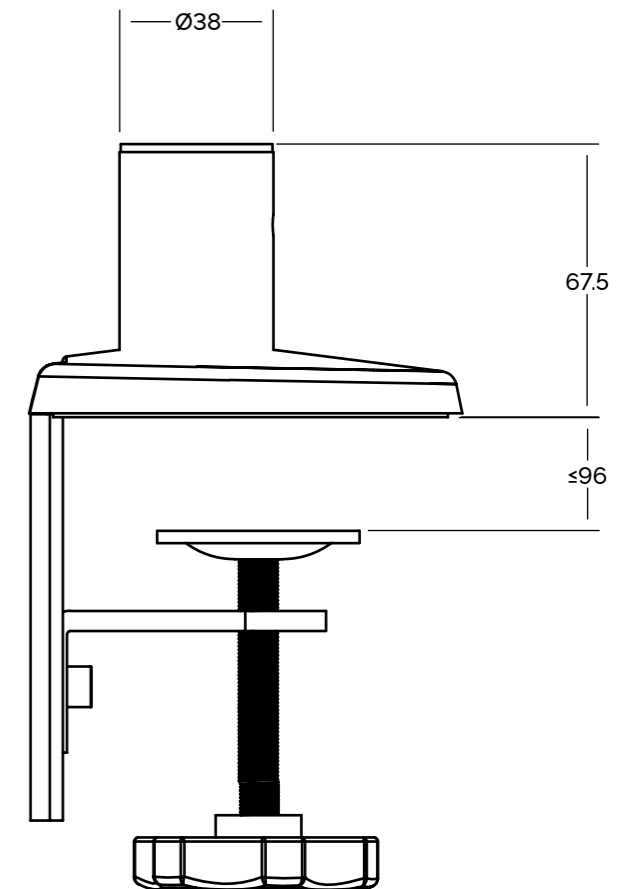
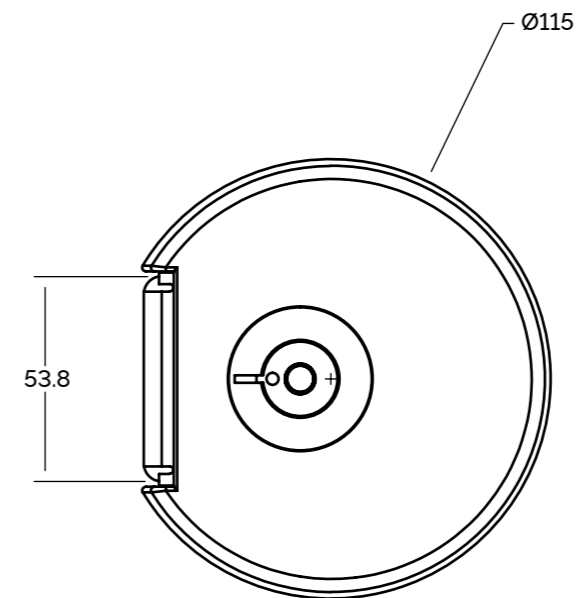
809455 - Black



Clamping range
96mm



Fastening by rotary
knob



3. Filex Galaxy Leaf Grommet

The Filex Galaxy Leaf Grommet provides neat and stable mounting at any desktop location. An ideal solution when you cannot use a leaf clamp. Architects and interior designers love this solution.

809460 - White

809461 - Silver

809462 - Black



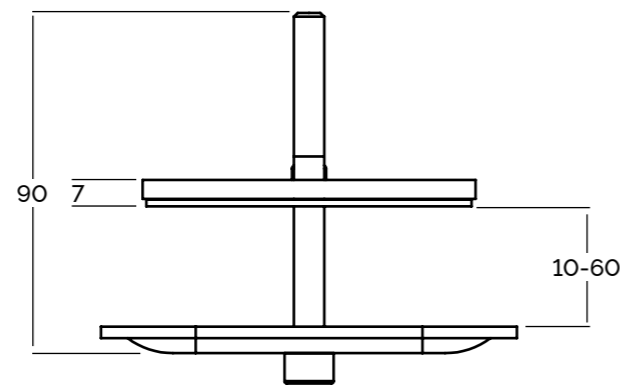
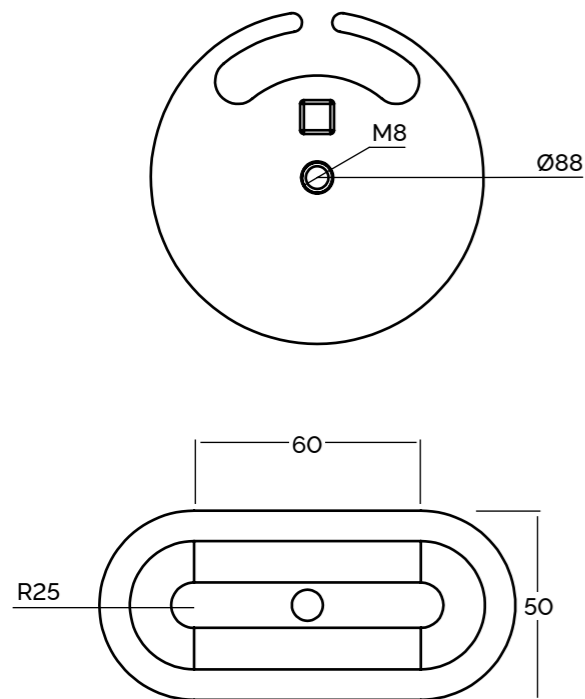
Clamping range
10 - 60 mm



Fastening by
Inbus



Diameter throughput
min 8. to 62 mm (screw Ø M8)



4. Filex Galaxy Topdown leaf clamp-through

The unique design of this Topdown clamp allows for easy, quick and ergonomic mounting from above rather than below the desk. The clever clamping technology allows the Topdown clamp to be mounted on almost any type of desktop. Including sliding tops and faceted tops. Even if there is a partition, slide the clamp to where you want the clamp. This Topdown version can also be used as a leaf grommet..



809520 - White

809521 - Silver

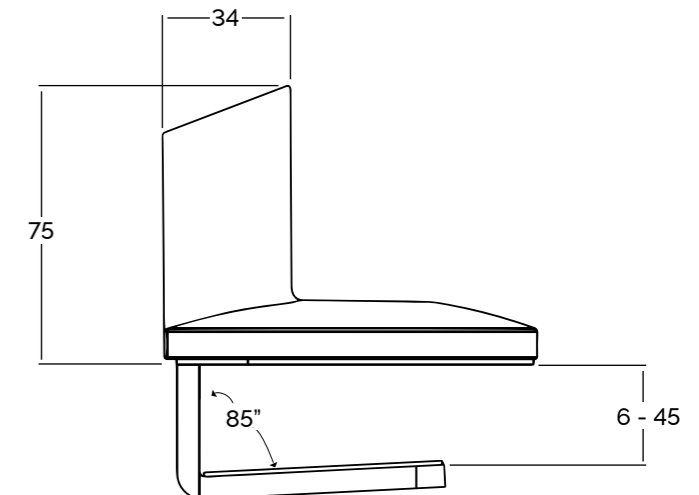
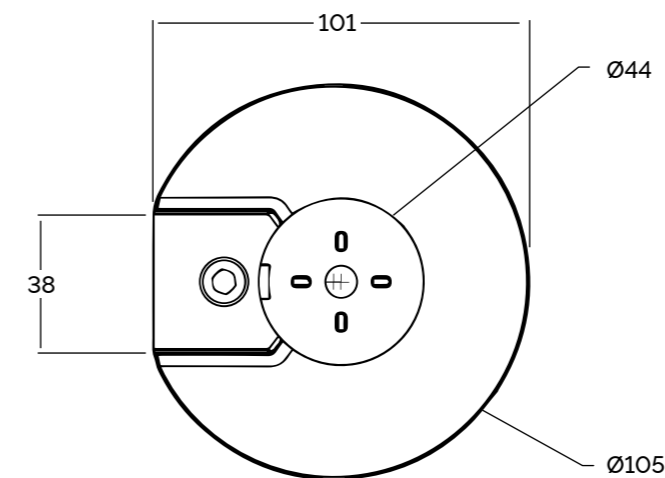
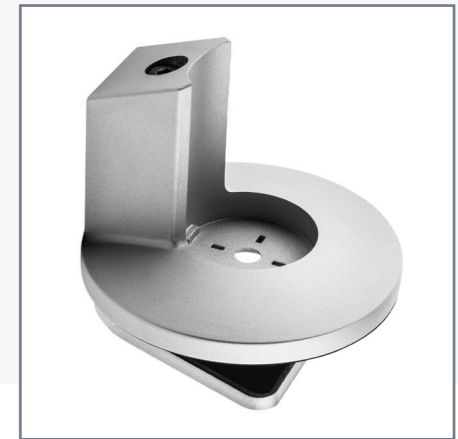
809522 - Black



Clamping range
6 - 45 mm



Fastening by socket on
top



5. Filex Galaxy Adapter for Topdown blade clamp-through

The Adapter is a complement to the Topdown leaf clamp and with it you have the immediate ability to place an arm section on the clamp, without the use of a post. Use only in conjunction with a Filex Galaxy Topdown leaf clamp grommet. This adapter can also be used as a leaf grommet.

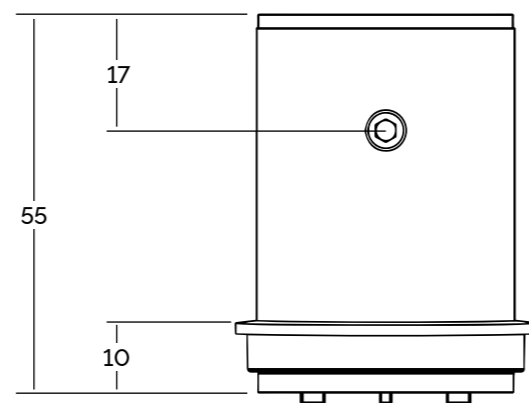
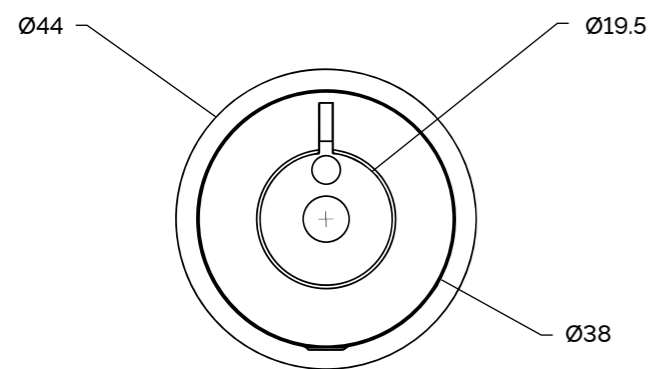
809523 - White
 809524 - Silver
 809525 - Black



Clamping range
 6 - 45 mm



Mounting by socket on
 top



6. Filex Galaxy Sliding Blade Clamp

This Filex sliding top clamp is specially designed for desks with sliding tops, faceted tops, standard desks, tops with an integrated cable tray at the back or desktops with little space behind the desktop. This combination can always be used with a post!



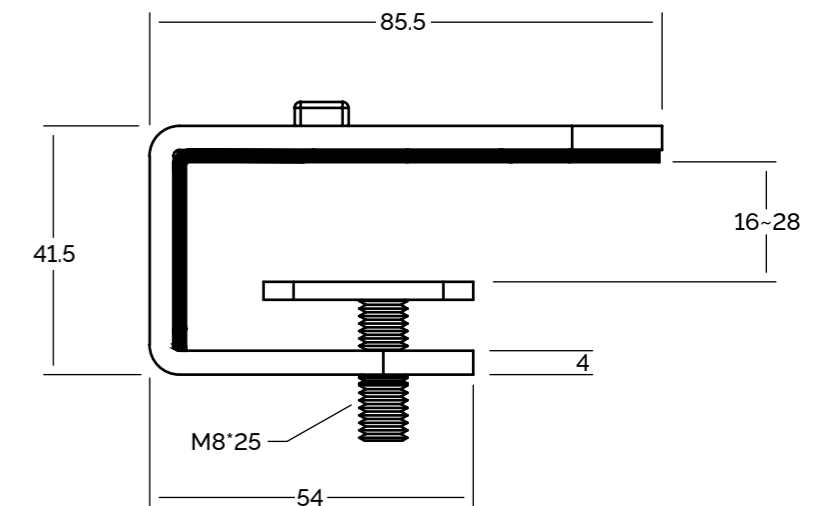
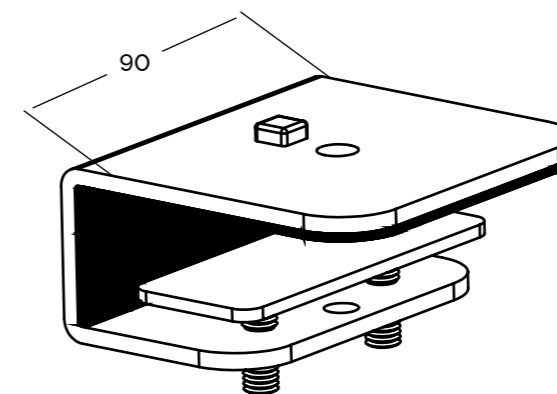
809456 - Black
 809457 - Silver
 809458 - White



Clamping range
 16 - 28 mm



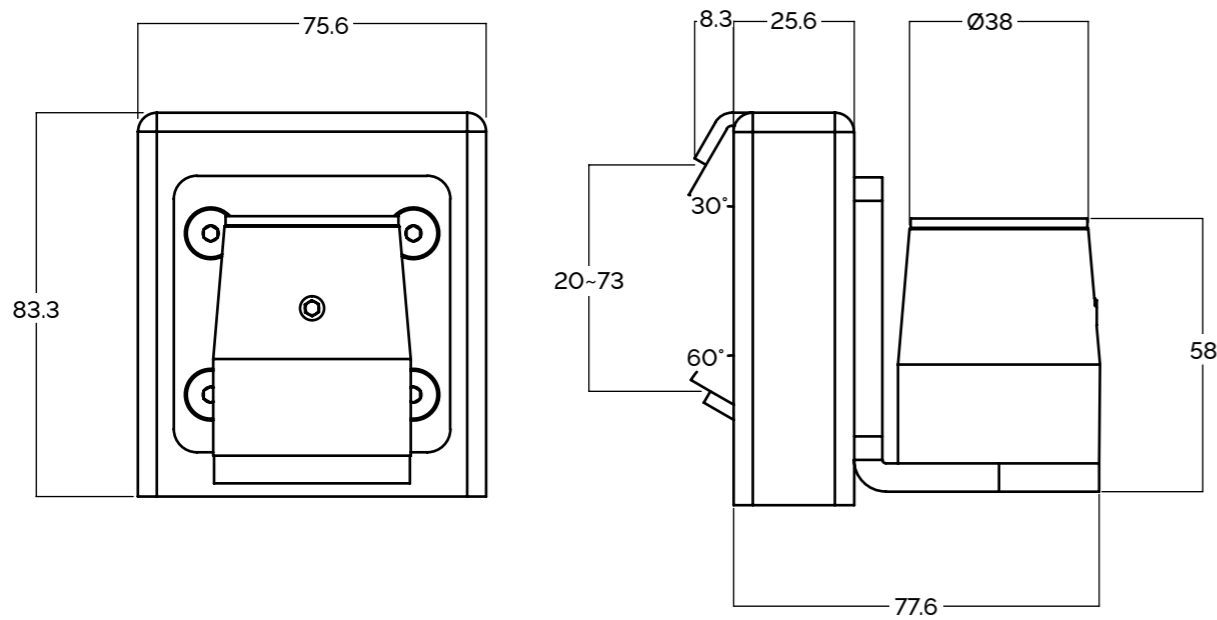
Fastening by means of
 2x Allen



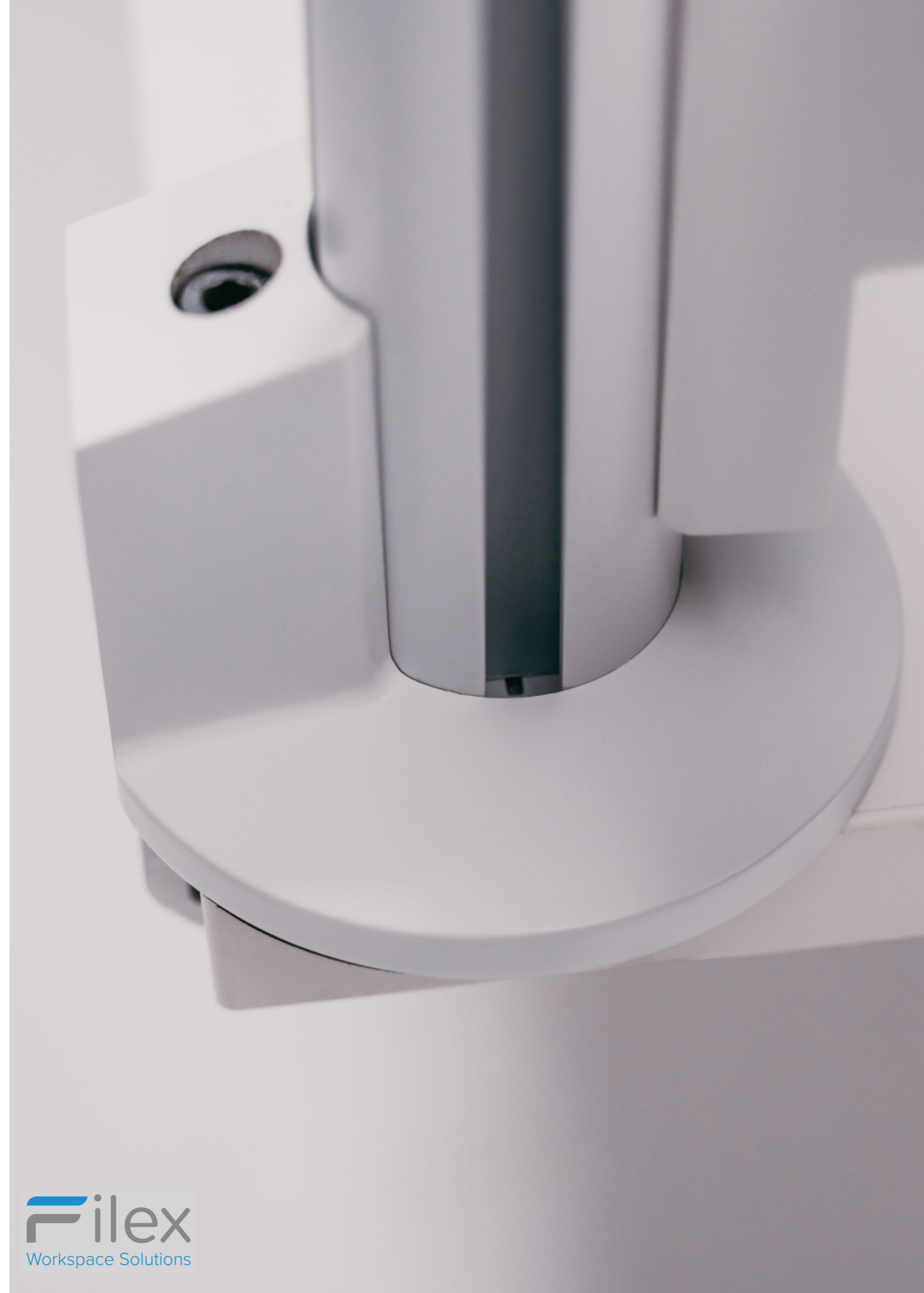
7. Filex Galaxy universal Toolbar Wall Clamp

The Filex Galaxy universal Toolbar Wall Clamp is suitable for wall or wall mounting and can also be attached directly to the rail (toolbar) by means of the clamping function.

809499 - Silver
809504 - White
809505 - Black



Dimensions are in mm



Post overview



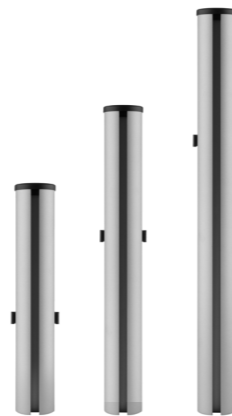
8. Filex Galaxy Toolbar (150cm)

The Filex Galaxy Toolbar! By mounting this Toolbar between 2 Galaxy Posts (45 cm or 70 cm) you can literally build anything you want and for countless screens! The right cockpit setup for a control room or security institute? Or are you a fanatic gamer? With this Toolbar you can build the most beautiful configurations using many screens!

9. Filex Galaxy Posts.

The post is provided with a mounting rail/slot along the entire length on 4 sides where the infinitely height adjustable Connector can be inserted for mounting the monitor, Thin Client CPU holder, Filex Galaxy Laptop holder etc. The Post features a cover on the top and a cable guide bracket on the back for cable management.

- 22 cm
- 45 cm
- 70 cm



8. Filex Galaxy Toolbar (150cm)

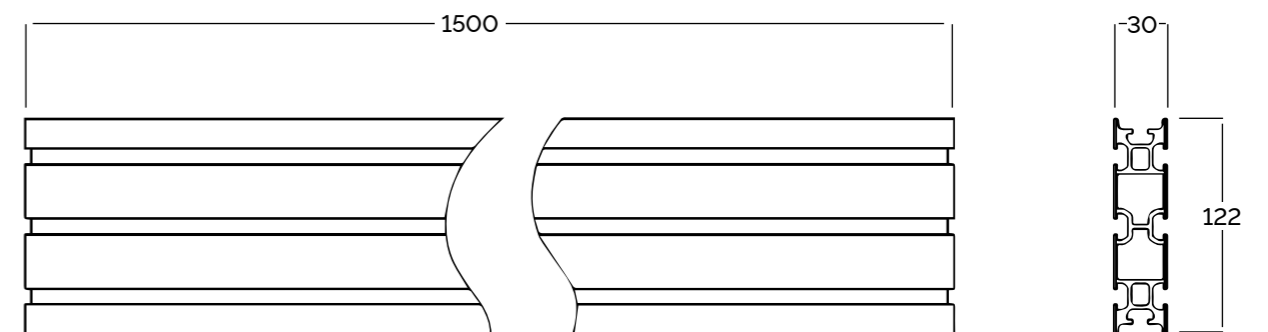
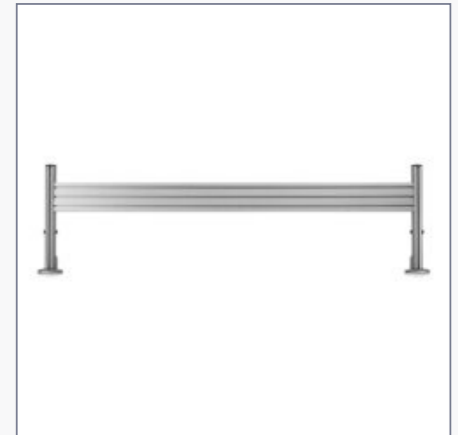
By equipping this Toolbar both left and right with a Filex Galaxy post, you can build any arrangement you want and have a unique, professional solution for your workspace. This solution is used for applications where you want multiple applications or sharemen to be visual at the same time. The minimum width is approximately 170cm.



- 809506 - White
- 809507 - Silver
- 809508 - Black



- Mounting by (still to be purchased)
- 2x Filex Galaxy Post +
- Filex Galaxy Universal toolbar/wall clamp for mounting arms



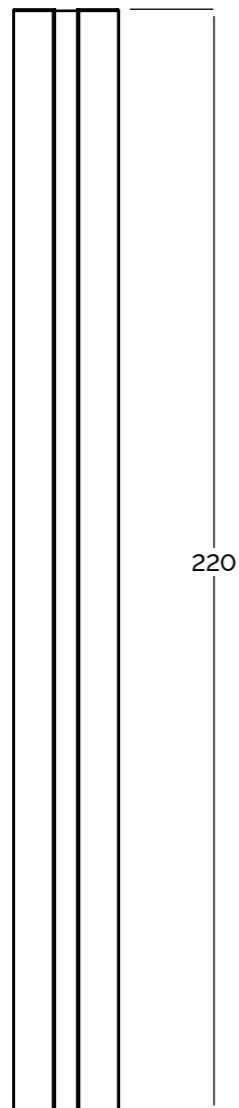
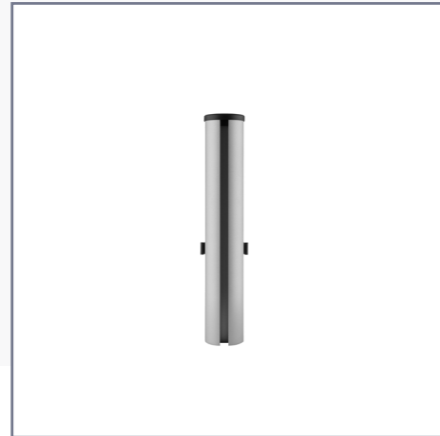
Dimensions are in mm

9. Filex Galaxy Post 22cm

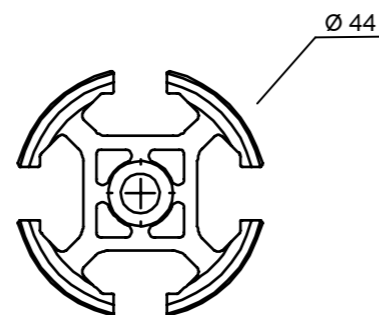
Easily mounts to the Galaxy blade clamp, grommet or Topdown clamp/grommet! This Post has the most commonly used length for mounting arm parts (using the Galaxy Connector). This post gives you all possible options to adjust the Connectors in height, slide a Galaxy Thin Client CPU holder still to the post or mount an electrification unit (Filex Desk Up® 1.0) with the electrification clamp to the post! Also, by using 2 times these posts, you can place a Galaxy Toolbar between them!



- 809443 - White
- 809444 - Silver
- 809445 - Black



220



Ø 44

filex
Workspace Solutions

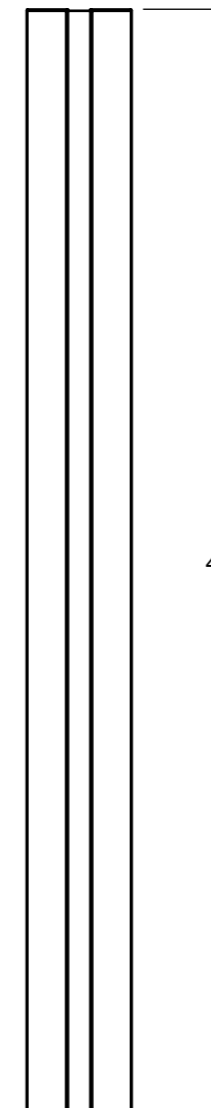
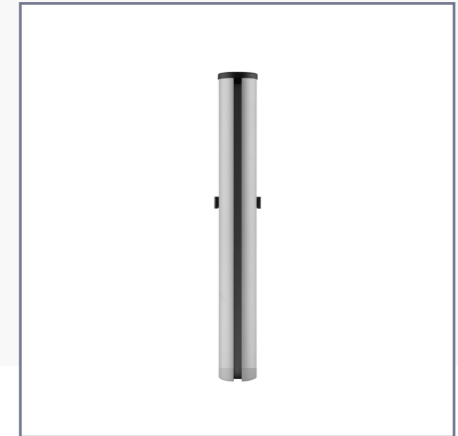
Dimensions are in mm

10. Filex Galaxy Post 45cm

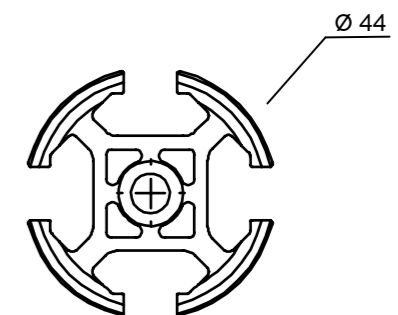
Easily mounts to the Galaxy blade clamp, grommet or Topdown clamp/grommet! This post has the most commonly used length for mounting arm parts (using the Galaxy Connector). This post gives you all possible options to adjust the Connectors in height, slide a Galaxy Thin Client CPU holder still to the post or mount an electrification unit (Filex Desk Up® 1.0) with the electrification clamp to the post! Also, by using 2 times these posts, you can place a Galaxy Toolbar between them!



- 809440 - White
- 809441 - Silver
- 809442 - Black



450



Ø 44

filex
Workspace Solutions

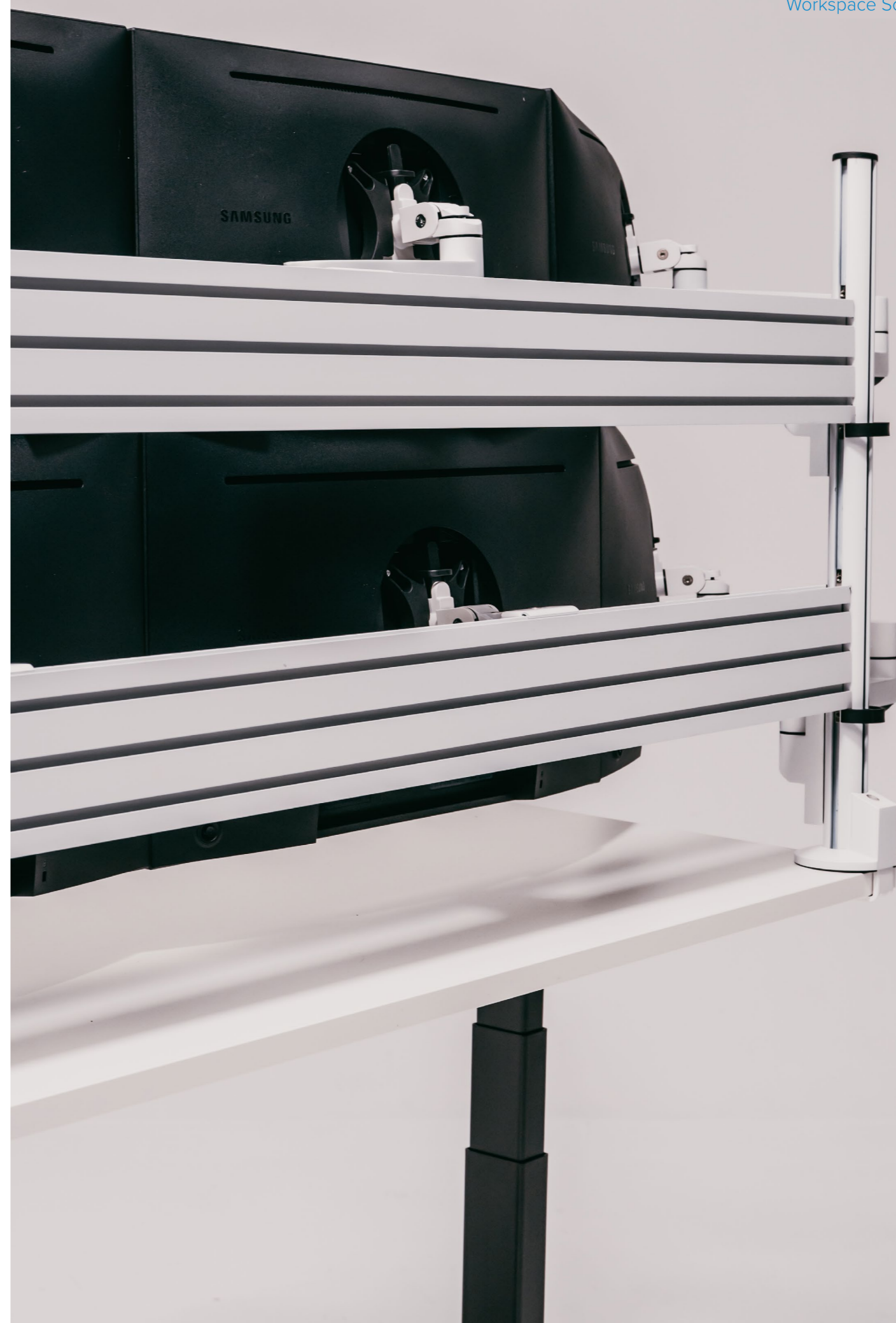
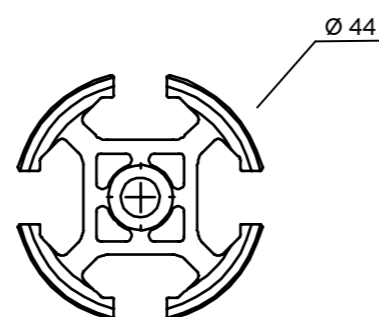
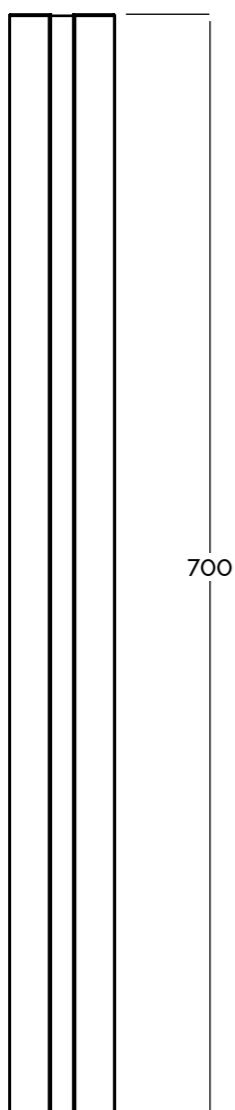
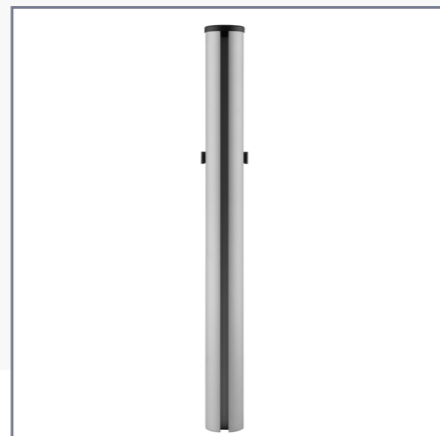
Dimensions are in mm

11. Filex Galaxy Post 70cm

Easily mounts to the Galaxy blade clamp, grommet or Topdown clamp/grommet! This post has the most commonly used length for mounting arm parts (using the Galaxy Connector). This post gives you all possible options to adjust the Connectors in height, slide a Galaxy Thin Client CPU holder still to the Post or mount an electrification unit (Filex Desk Up® 1.0) with the electrification clamp to the Post! Also, by using 2 times these posts, you can place a Galaxy Toolbar between them!



- 809483 - White
- 809484 - Silver
- 809485 - Black



Arms Overview

12. Filex Galaxy straight static arm part

The static straight arm section of the Filex Galaxy is easy to use and can be adjusted to any height and position using the patented Galaxy Connector. The static (rigid) straight arm section of the Galaxy has not only a fine base, but also an economic advantage!

13.

Filex Galaxy static inclined arm partThe static tilted arm of the Filex Galaxy is easy to use and can be adjusted to any height, depth and position using the patented Galaxy Connector. The static (rigid) tilted arm part of the Galaxy has not only a fine base, but also an economic advantage!

14.

Filex Galaxy dynamic gas-sprung armrestThe Filex Galaxy dynamic and gas-sprung armrest! Ideal for easily setting the perfect and ergonomic viewing height. Especially if you want to move your monitor(s) up and down more often!

** All arm sections incorporate cable routing for a nice tidy workstation with no visible cables.*



12. Filex Galaxy static straight arm section

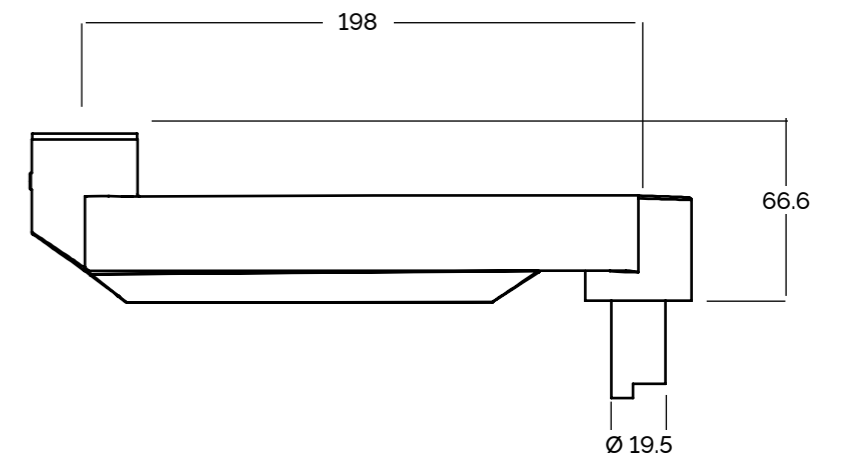
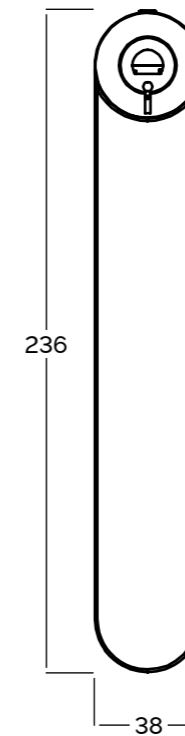
The Filex Galaxy static straight arm section is a static extension into the Connector in the Post and can be paired as a first arm to then extend with any static or dynamic arm or directly to the VESA header on your screen. The arm part determines the depth adjustment. Also, various other accessories such as the Filex Galaxy Laptop holder can be connected to it. It is a nice economical solution for your monitor arm configuration.



809470 - White
809471 - Silver
809472 - Black



Maximum load weight 12 kg



13. Filex Galaxy static angled arm section

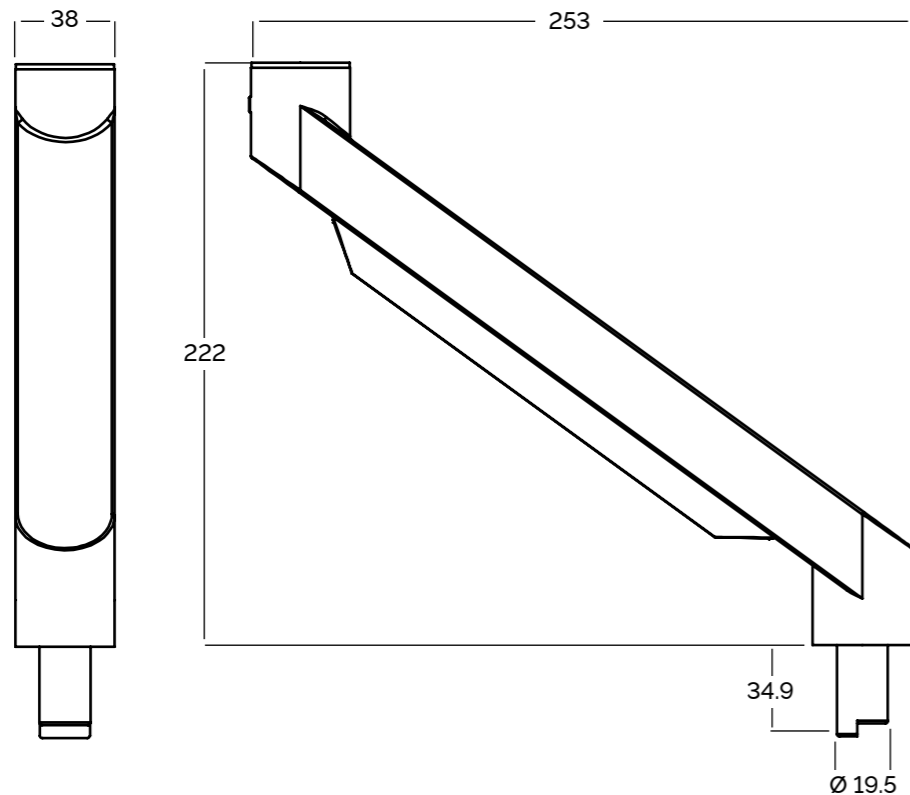
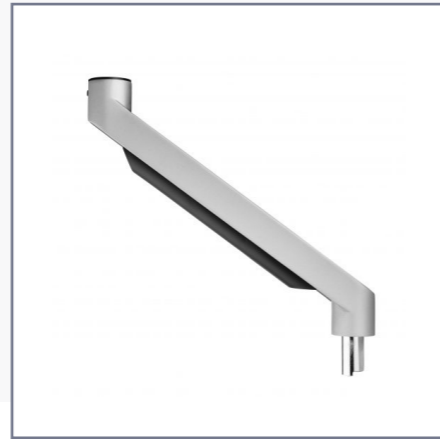
The Filex Galaxy static angled arm piece is a static extension that can be coupled into the Connector at the Post as a first or second arm. It can then be extended with any static or dynamic arm or directly to the VESA header on your screen. The arm part determines the height and depth adjustment. Also, various other accessories such as the Filex Galaxy Laptop holder can be connected to it. It is a nice economical solution for your monitor arm configuration.



- 809480 - White
- 809481 - Silver
- 809482 - Black



Maximum payload Weight
12 kg



14. Filex Galaxy dynamic gas-sprung arm section

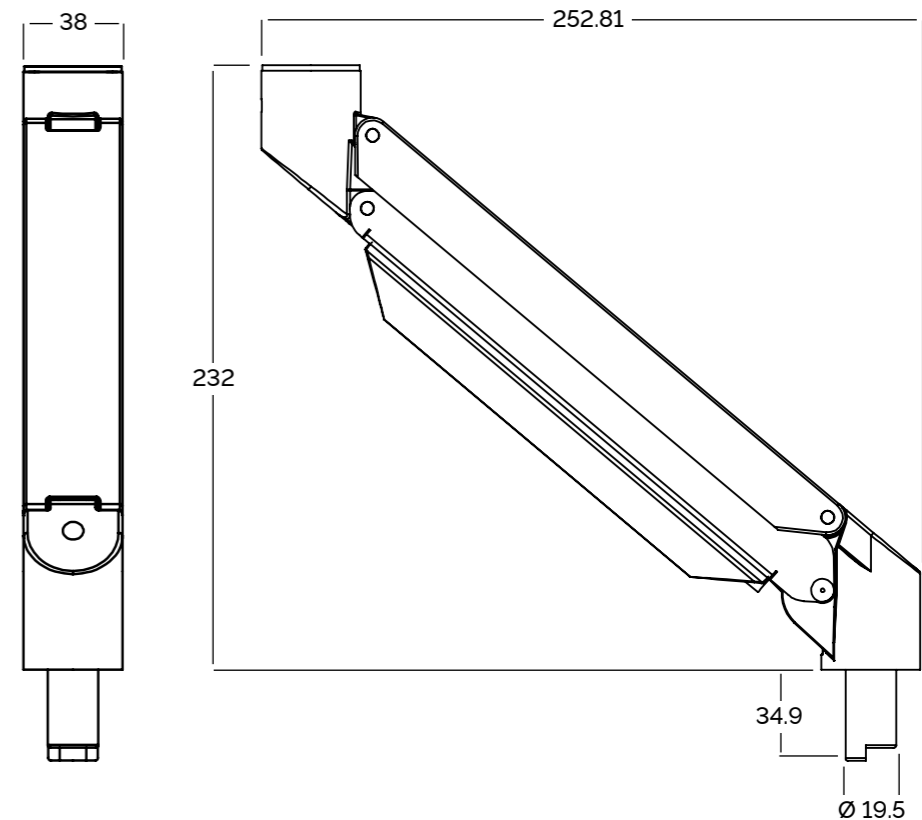
The Filex Galaxy dynamic gas-sprung arm section features a gas spring for optimal dynamic height and depth adjustment. The gas-sprung arm section is a dynamic extension that can be coupled into the Connector to the Post as the first arm section. Then it can be extended with any static or dynamic arm or directly to the VESA head on your screen. Also, various other accessories such as the Filex Galaxy Laptop holder can be connected to it. This arm is an ideal solution for flexible and hybrid workplaces.



- 809490 - White
- 809491 - Silver
- 809492 - Black



Maximum load weight 2 -
12 kg



15. Filex Galaxy Connector

The Connector has an integrated rotation stop that has 3 positions (adjustable per 90 degrees) and can be fitted with a VESA head, a static arm or a dynamic gas spring arm.

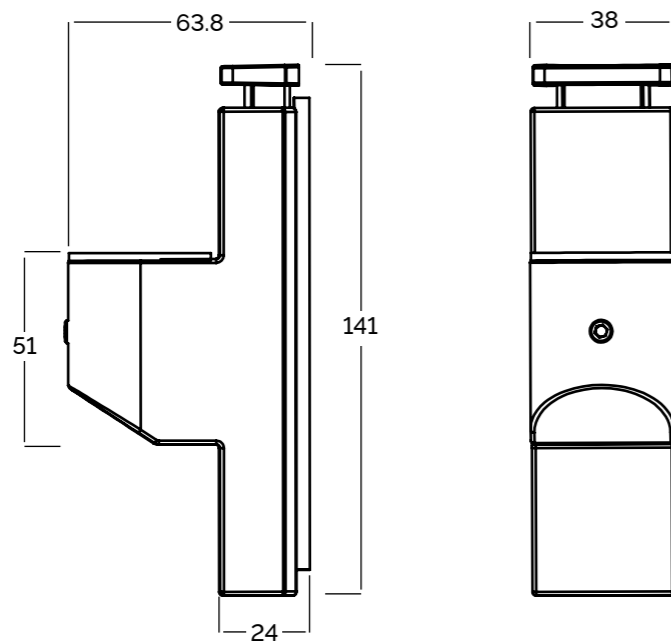
This unique Connector allows you to quickly and easily adjust the height of the arm. It is equipped with integrated rotation stop, therefore the monitor arm will not damage your back wall.

This Connector can be fitted with a VESA Head, a static or dynamic arm. This Connector is patented.

809467 - White

809468 - Silver

809469 - Black



16. Filex Galaxy Electrification holder

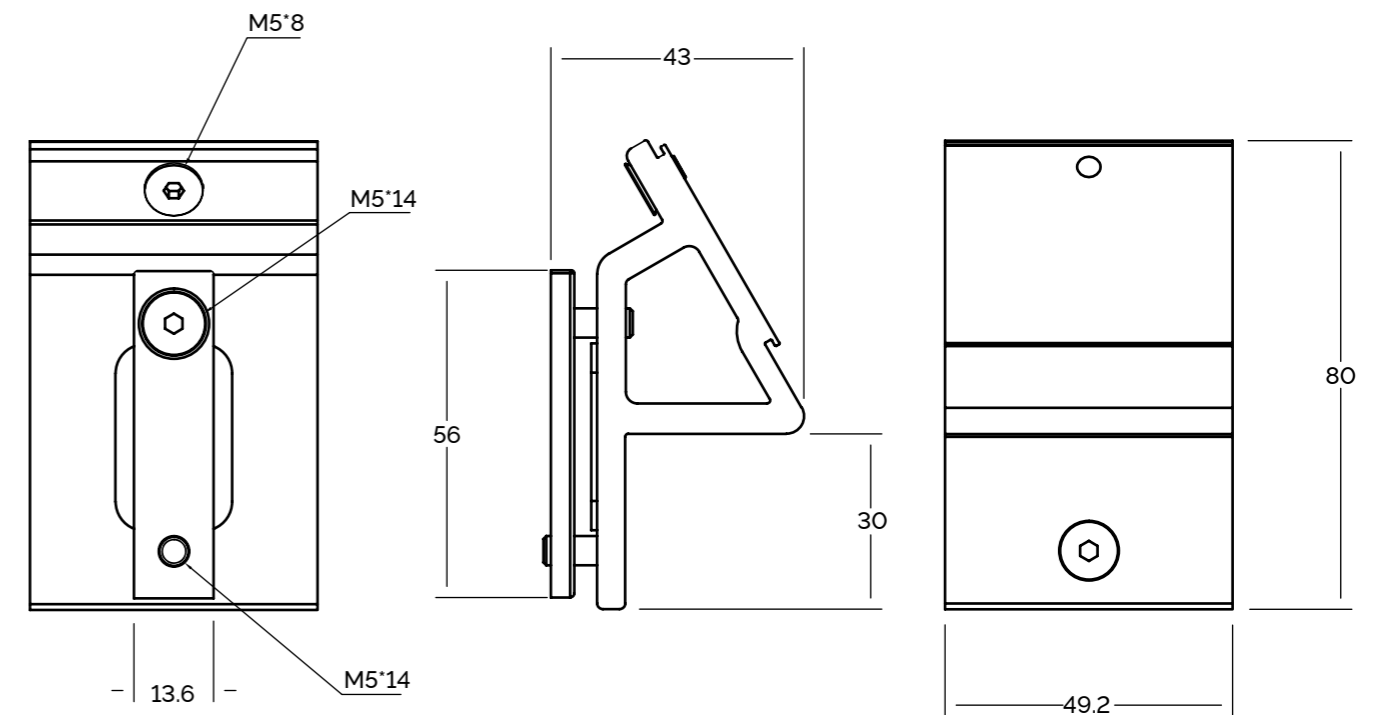
Avoid drilling and milling in your desk and choose simplicity and comfort by mounting all your electrification on your monitor arm. On this clamp you can mount all Filex Desk Up® 1.0 electrification units, so you don't have to fix separate units or clamps under your desk.



809495 - White

809496 - Silver

809497 - Black



Dimensions are in mm

Dimensions are in mm

17. Filex Galaxy VESA Head with quick release

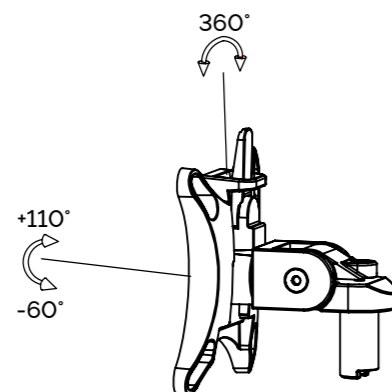
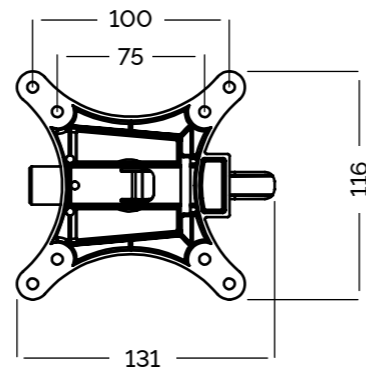
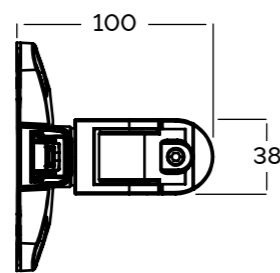
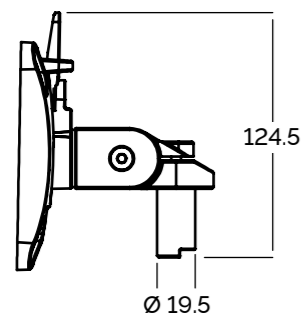
The Filex Galaxy VESA Head to which you can directly hang your monitors! The last part you place on the arm parts (or on the Connector) of the Filex Galaxy modular monitor arm before hanging up your screens! By means of the ball joint in the head, you can position your screen at any viewing angle!



809464 - White
809465 - Silver
809466 - Black



VESA sizes
75 x 75
100 x 100



18 Filex Galaxy VESA Head for Crossbar

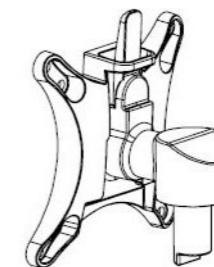
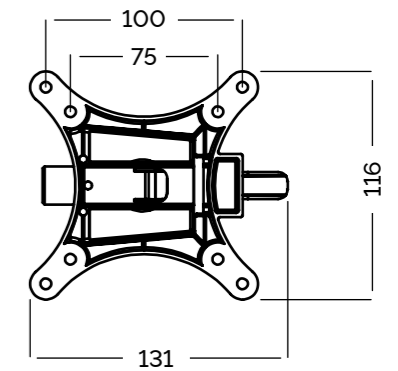
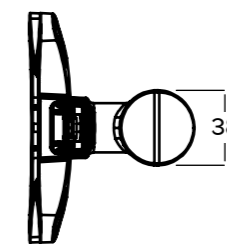
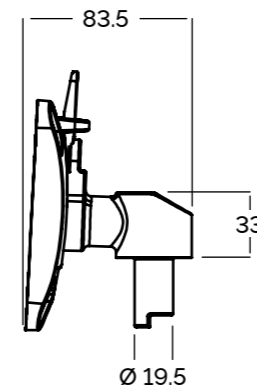
The Filex Galaxy VESA Head for use with a Crossbar! The last part to be placed on the arm parts (or on the Connector) of the Filex Galaxy modular monitor arm before placing your chosen Crossbar! By using this VESA Head, you can easily expand your monitor arm for 1 screen, to a monitor arm for 2 screens. The only addition you need to do now is the purchase of a Crossbar!



809500 - White
809501 - Silver
809502 - Black




VESA sizes
75 x 75
100 x 100

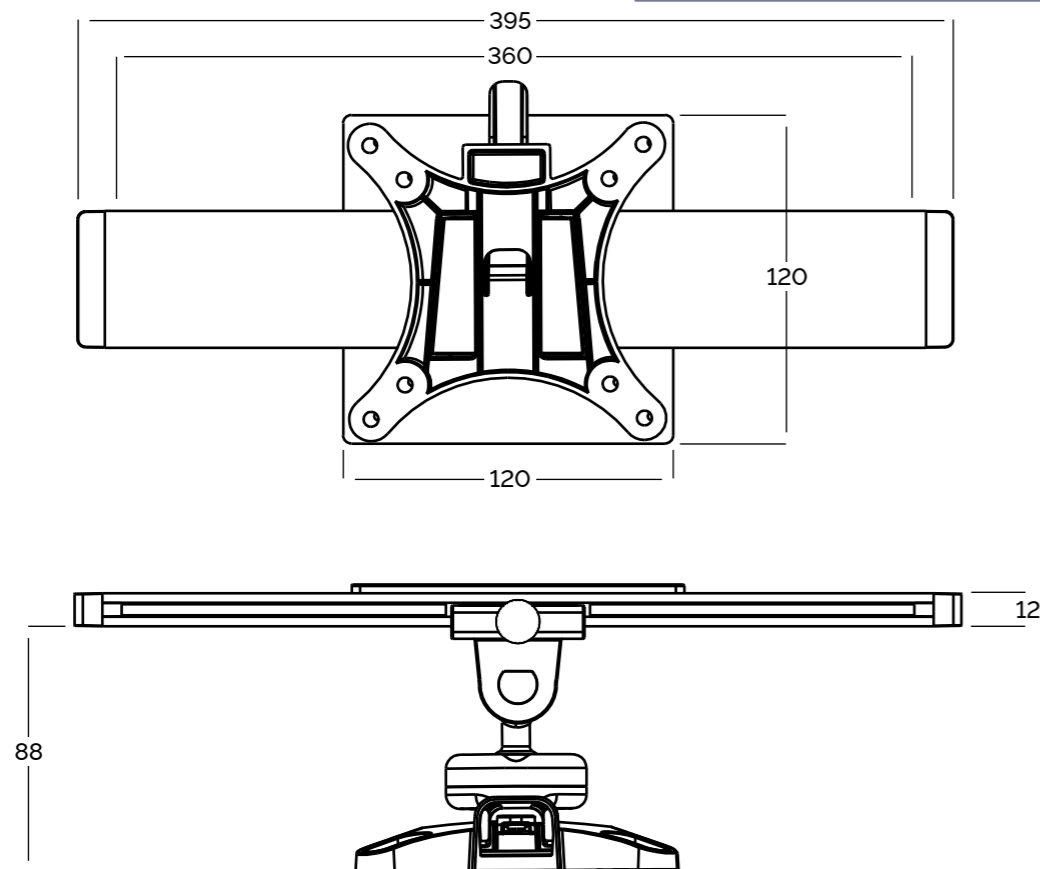


19. Filex Galaxy VESA Slider

By using the Filex VESA Slider, you can infinitely move the monitor from left to right, horizontally and vertically for the correct ergonomic position or the most optimal position for the user. This solution is also often used to create distance between screens. So you can also place larger screens and the Slider allows you to place them against each other and position them correctly. If placed vertically, this Slider can also be used in combination with the Filex Galaxy Laptop holder, so that the position of the laptop or tablet can also be infinitely adjusted in height.

 809503 - Black



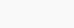
 VESA sizes
75 x 75
100 x 100




Dimensions are in mm

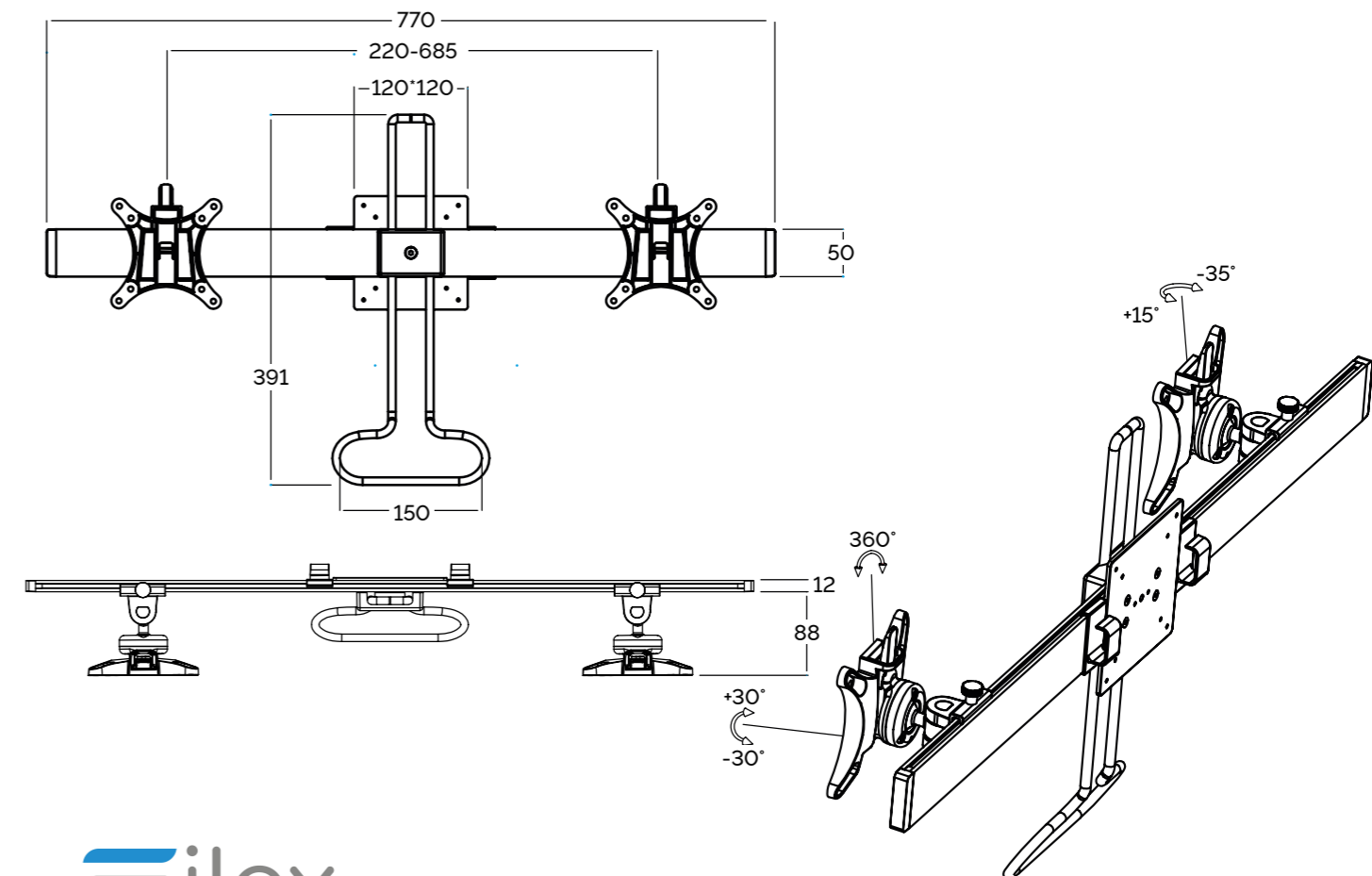
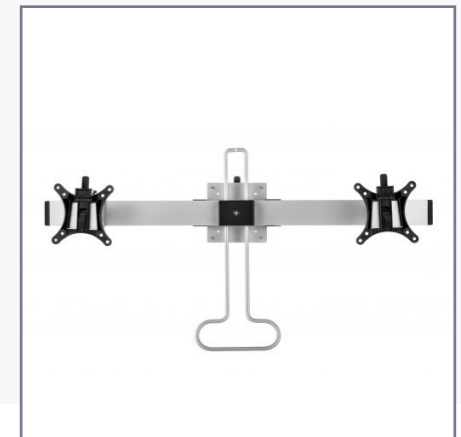
20. Filex Galaxy Crossbar

With this Filex Galaxy Crossbar, you turn a single monitor arm for 1 screen into an optimally ergonomic solution for 2 screens. The Crossbar is provided per screen with a Filex Galaxy VESA Head with quick release and a ball joint. This gives you optimal independent adjustment per screen!

 809446 - Black
 809447 - White
 809448 - Silver

 VESA sizes
75 x 75
100 x 100

 Required
Filex Galaxy VESA Head for Crossbar



Dimensions are in mm

21. Filex Galaxy Laptop holder

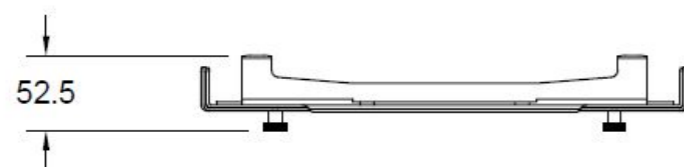
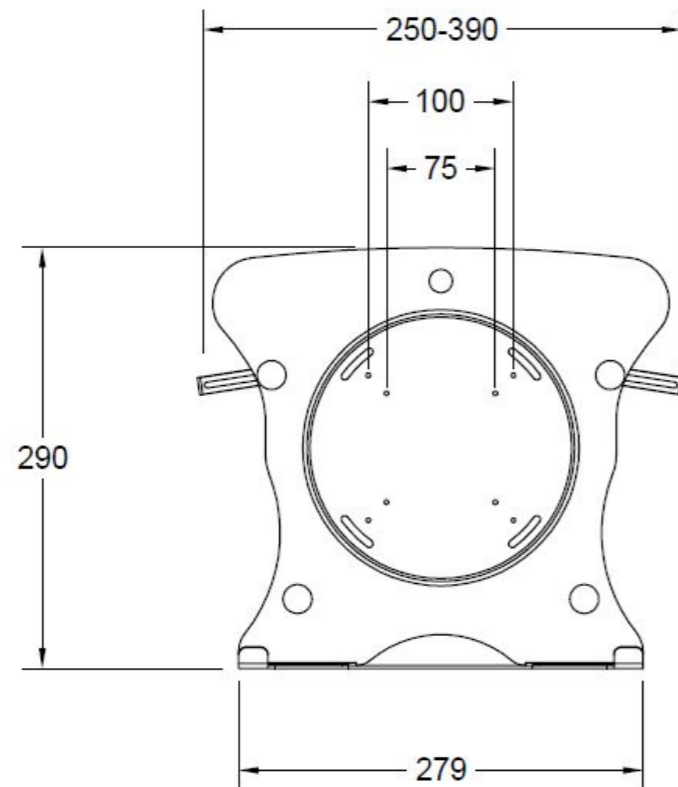
The Filex Galaxy universal Laptop holder! Are you a sales representative and often work with your laptop at Flex workstations? Or do you often work alternately at home and at the office? It is nice that you can adjust your laptop to the correct height for the right ergonomic working height. You can arrange all this by adding this Laptop holder to your monitor arm!



809498 - Black



VESA sizes
75 x 75
100 x 100



Dimensions are in mm

22. Filex Galaxy Sit Stand Work Platform

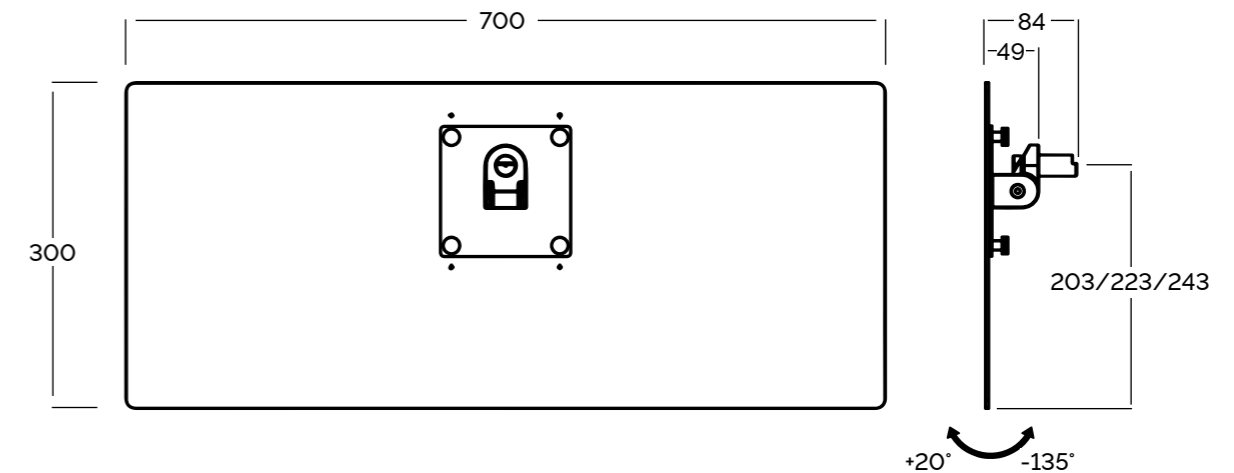
The Filex Galaxy keyboard and mouse holder! The ideal solution for all Healthcare departments and your Sit-Sta workstation. This keyboard and mouse holder is designed from an ergonomic design and can be placed directly on our Filex Galaxy modular monitor arm parts!



809516 - White
809517 - Black



Attachment using (to be purchased).
Filex Galaxy Blade Clamp, Post 70 cm and the Filex Galaxy static straight arm piece to mount the workstation. To mount the monitor, you will need another Filex Galaxy Connector and a Filex Galaxy VESA Head with quick release.



Dimensions are in mm

23. Filex Galaxy Thin Client CPU holder

The Filex Galaxy Thin Client CPU holder! Indispensable on a nice tidy workplace! Not only does this CPU holder protect your Thin Client from scratches, but this CPU holder also ensures that it is easy to operate by mounting it to the post of a Filex Galaxy monitor arm!



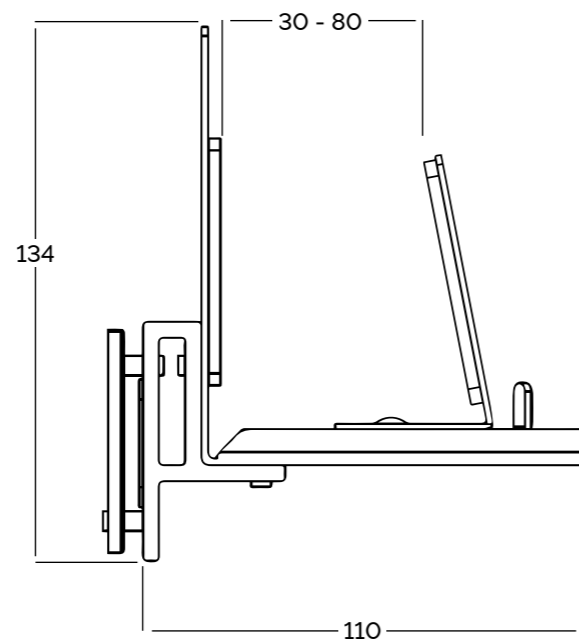
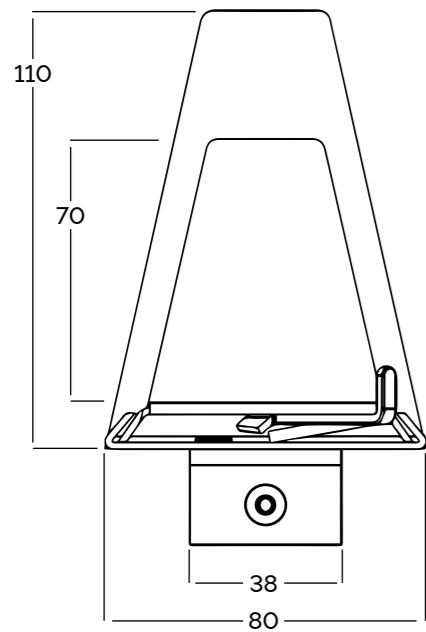
809510 - White
809511 - Silver
809512 - Black



Maximum thickness Thin client
30 - 80 mm



Mounting Thin client
slide-click system



Dimensions are in mm

Standard configurations



Each configuration described below is adaptable to future needs. The configurations are modular, circular and can be further expanded as needs in your workplace change.

Filex Galaxy Basic Single Short

The height of this set up is easily and infinitely adjustable, thanks to the patented Connector with 180-degree rotation stop. The flexible VESA Head with quick release allows the monitor to tilt, rotate and swivel. This set up is easily expandable with Crossbar and VESA Head for Crossbar to expand to 2 screens.



809430 - White

809431 - Silver

809432 - Black



Parts

1 - Filex Galaxy Post 45cm

1 - Filex Galaxy Sheet Clamp

1 - Filex Galaxy Sheet Grommet

1 - Filex Galaxy Connector

1 - Filex Galaxy VESA Head

with quick release



Rotation stop 180°
Yes



Cable management
Yes



Number of monitors
1



Weight capacity
12 kg



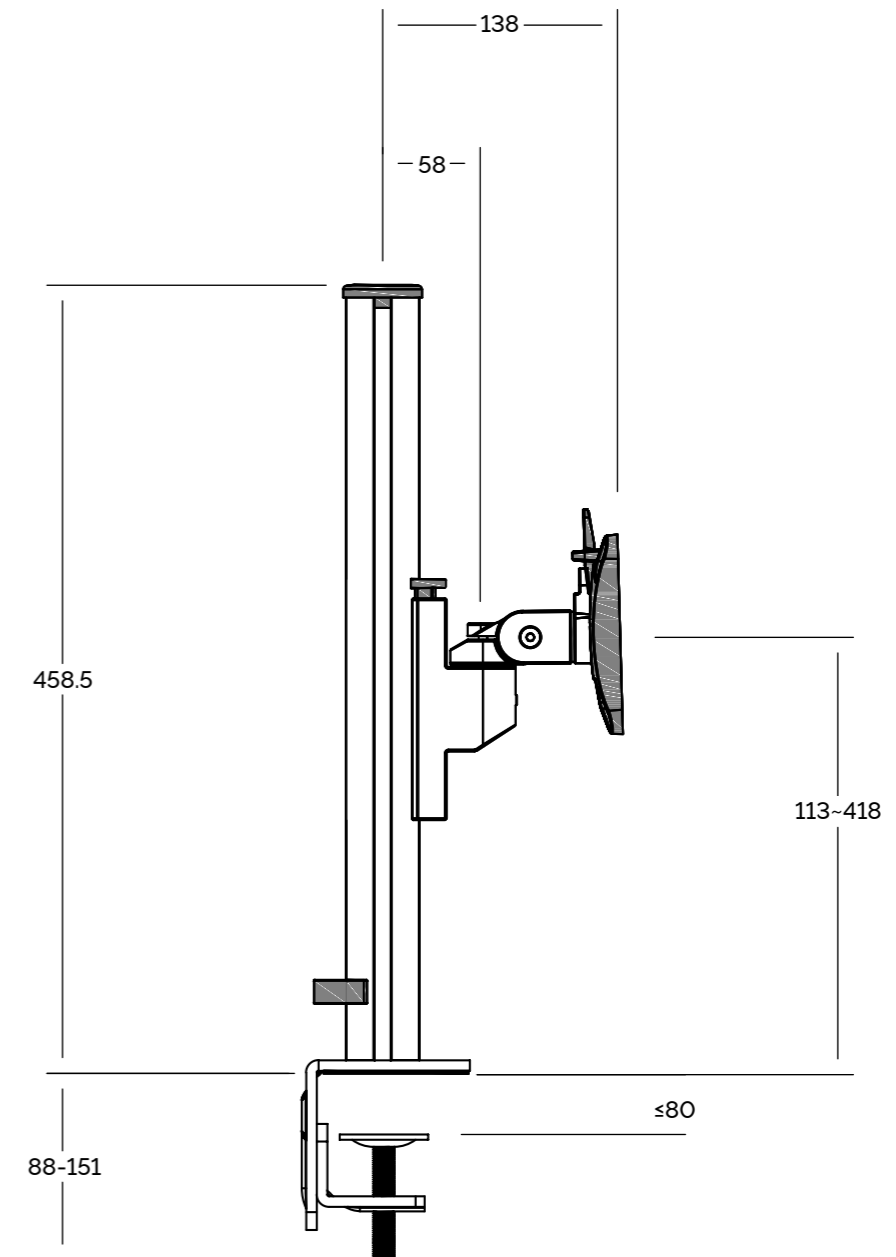
Adjustability
+/- 90 degrees rotation
(landscape or portrait), 45
degrees swivel and tilt



Circular
100% recyclable and made
from 98.8% sustainable
materials



Filex
Workspace Solutions



Configure your optimal
Filex Galaxy

Dimensions are in mm

Filex Galaxy Basic Single Short

Adjust the height and depth of the monitor completely infinitely with the patented and built-in 180 degree stop in the Connector on the Post. The 3 pivot points of the Filex Galaxy Straight Arm and VESA Head with quick release allow the monitor to tilt, rotate and swivel. It is easily expandable with Crossbar and Crossbar VESA Head to expand to 2 screens.



809410 - White
809411 - Silver
809412 - Black



Parts
 1 - Filex Galaxy Post 45cm
 1 - Filex Galaxy Leaf Clamp
 1 - Filex Galaxy leaf grommet
 1 - Filex Galaxy Connector
 2 - Filex Galaxy straight arm section
 1 - Filex Galaxy VESA Head
 with quick release



Rotation stop 180°
 Yes



Cable management
 Yes



Number of monitors
 1



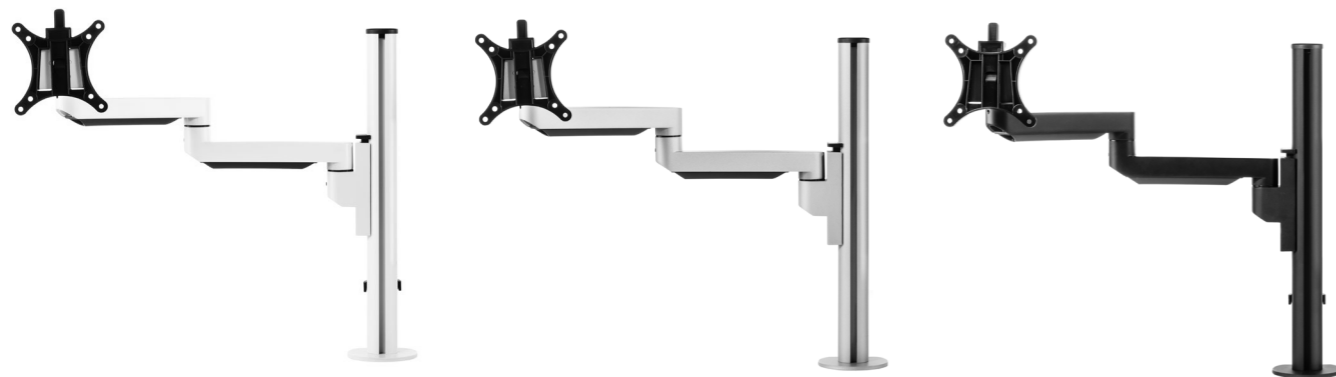
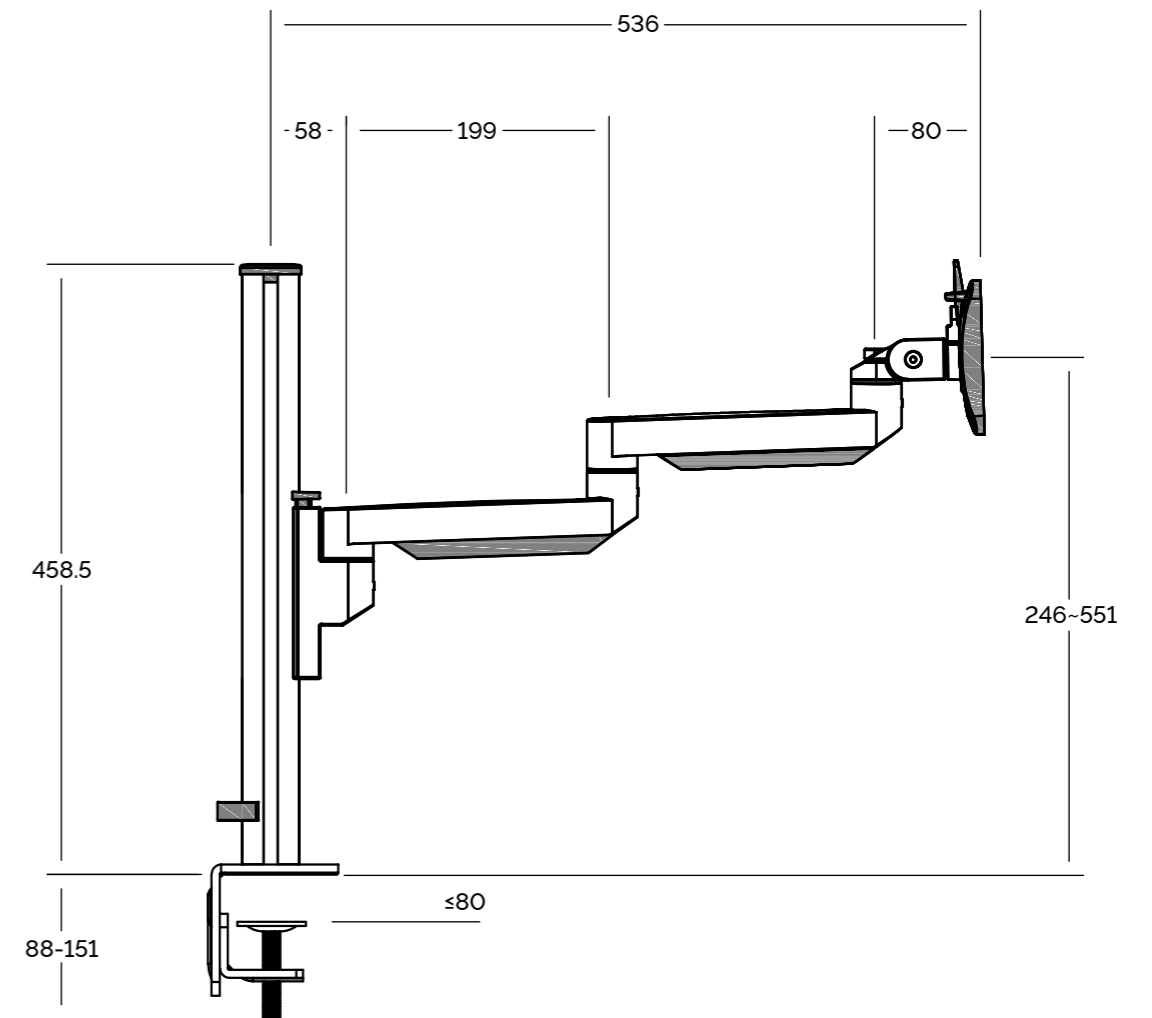
Weight capacity
 12 kg



Adjustability
 +/- 90 degrees rotation
 (landscape or portrait), 45
 degrees swivel and tilt



Circular
 100% recyclable and made
 from 98.8% sustainable
 materials



Configure your optimal
 Filex Galaxy

Dimensions are in mm

Filex Galaxy Basic Double Long

Adjust monitor height and depth completely infinitely with the patented and built-in 180 degree stop in the Connector on the Post. The 3 pivot points of the straight arms and VESA Head allow the monitor to tilt, rotate and swivel.

809420 - White

809421 - Silver

809422 - Black



Parts



1 - Filex Galaxy Post 45cm

1 - Filex Galaxy Leaf Clamp

1 - Filex Galaxy leaf grommet

2 - Filex Galaxy Connector

4 - Filex Galaxy straight arm section

2 - Filex Galaxy VESA Head

with quick release



Rotation stop 180°
Yes



Cable management
Yes



Number of monitors
2



Weight capacity
12 kg

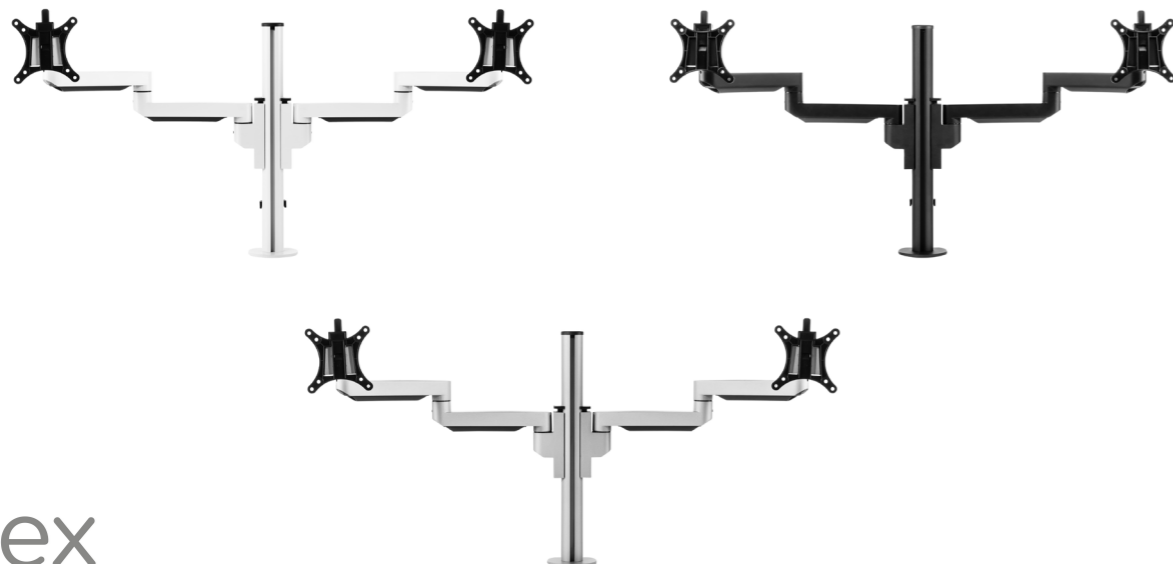
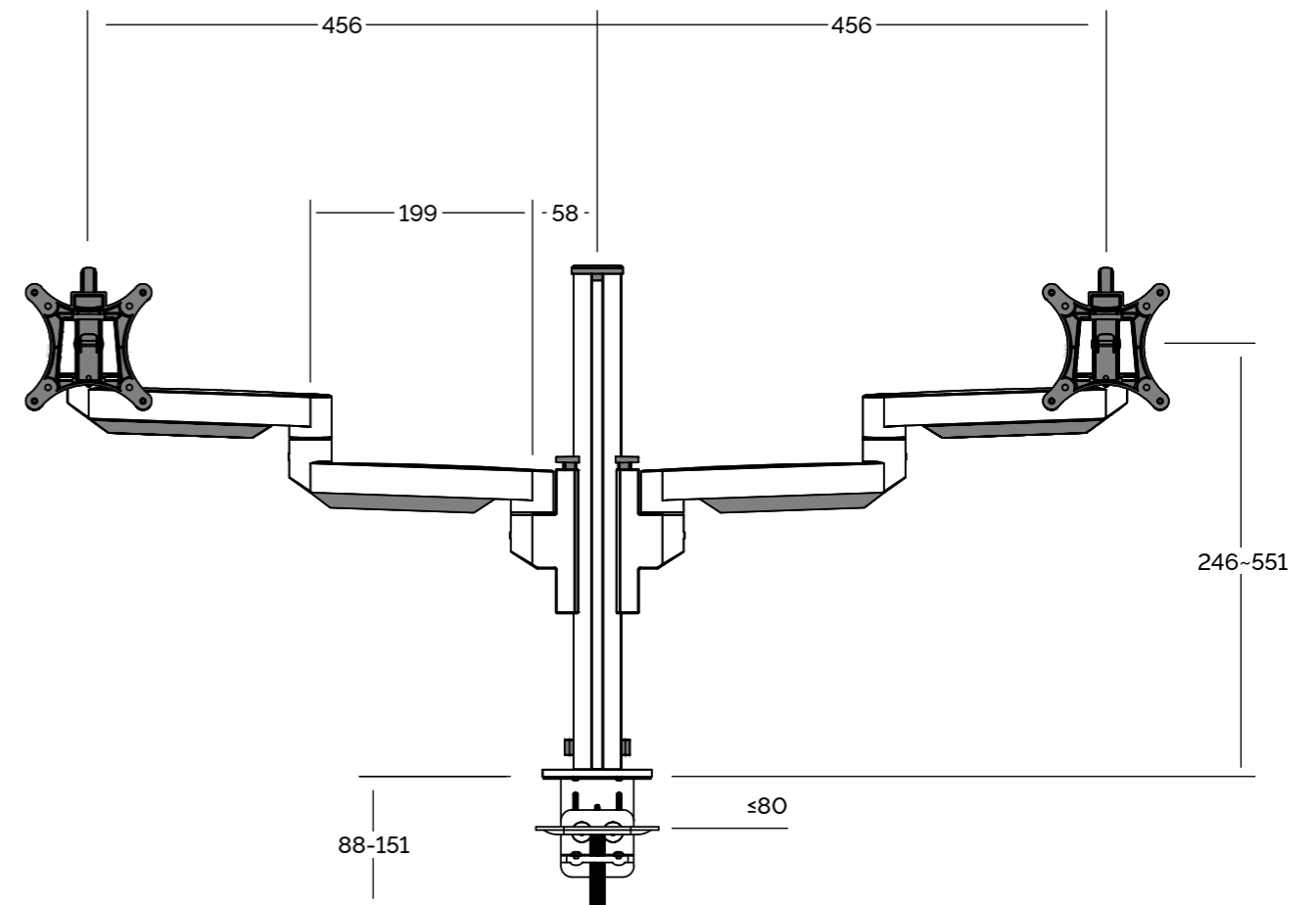


Adjustability
Rotate +/- 90 degrees
(landscape or portrait), rotate
and tilt 45 degrees



Circular
100% recyclable and made from
98.8% sustainable materials

Filex
Workspace Solutions



Configure your optimal
Filex Galaxy

Dimensions are in mm

Filex Galaxy Single Short Straight-Gas Spring

This monitor arm is equipped with a Filex Galaxy Straight arm section and a Filex Galaxy Gas-sprung arm section for optimal height and depth. This arm is fully infinitely adjustable with the patented and built-in 180 degree stop in the Connector on the Post. The VESA Head allows the monitor to tilt, rotate and pivot infinitely for an optimal viewing angle. This set up is easily expandable to 2 screens with Crossbar and VESA Head for Crossbar.

809477 - White



809417 - Silver

809478 - Black



Parts

1 - Filex Galaxy Post 22cm

1 - Filex Galaxy Leaf Clamp

1 - Filex Galaxy leaf grommet

1 - Filex Galaxy Connector

1 - Filex Galaxy straight arm section



1 - Filex Galaxy gas strut arm section

1 - Filex Galaxy VESA Head

with quick release



Cable management
Yes



Number of displays
1



Weight capacity
2 - 12 kg



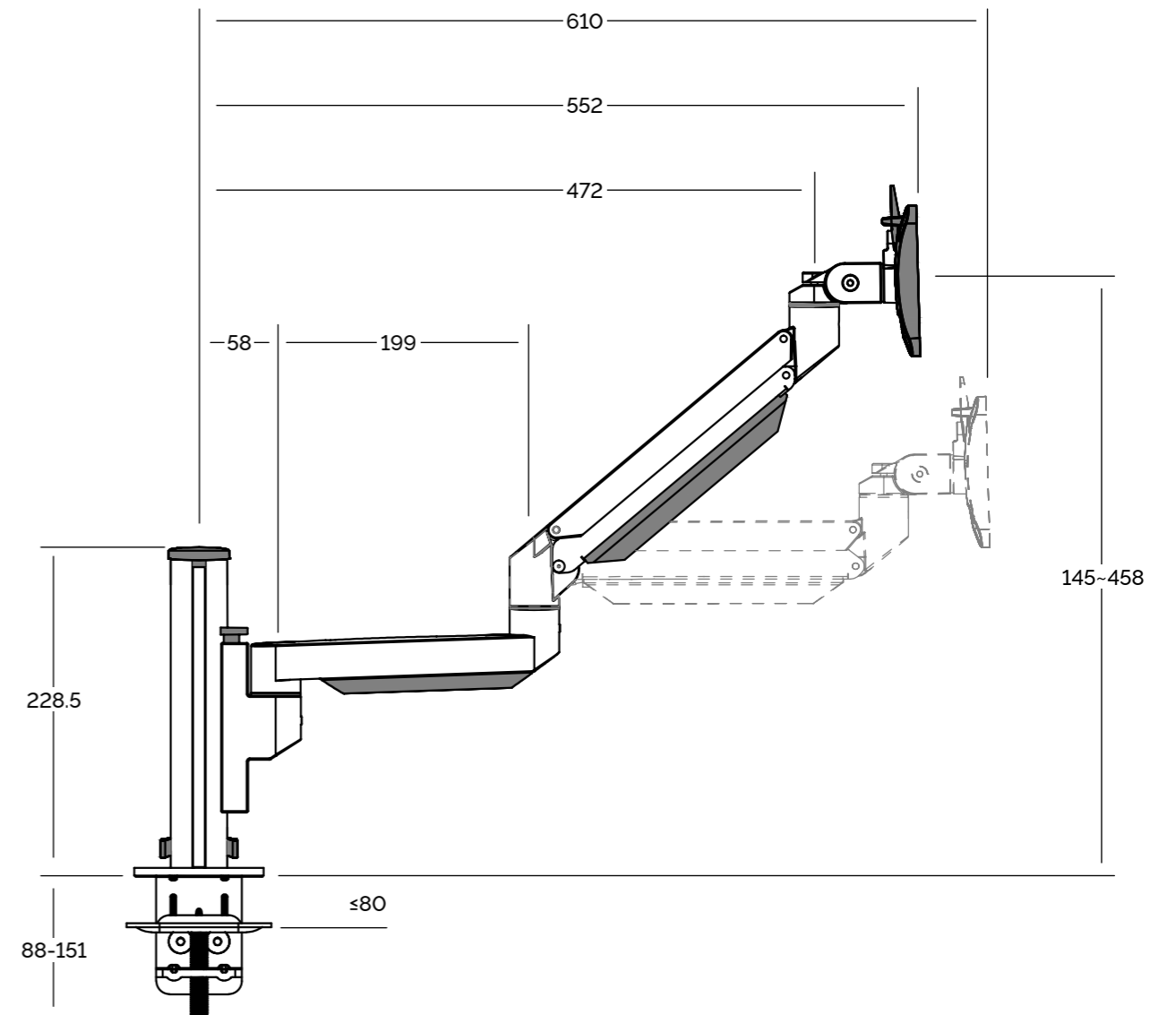
Adjustability
Rotate +/- 90 degrees
(landscape or portrait), 45
degree swivel and tilt



Circular
100% recyclable and made from
98.8% sustainable materials

Rotation stop 180

Yes



Configure your optimal
Filex Galaxy

Filex Galaxy Double Short Straight-Gas Spring

This Filex Galaxy set up is equipped with 2 monitor arms. One Filex Galaxy Straight arm part and one Filex Galaxy Gas-sprung arm part for optimal height and depth. This arm is fully infinitely adjustable with the patented and built-in 180 degree stop in the Connector on the Post. The VESA Head with quick release allows for infinite tilt, rotation and swivel of displays.



809475 - White
809416 - Silver
809476 - Black



Parts

1 - Filex Galaxy Post 22cm
1 - Filex Galaxy Leaf Clamp
1 - Filex Galaxy leaf grommet
2 - Filex Galaxy Connector
2 - Filex Galaxy straight arm section
2 - Filex Galaxy gas lift arm section
2 - Filex Galaxy VESA Head with quick release



Rotation stop 180°
Yes



Cable management
Yes



Number of monitors
2



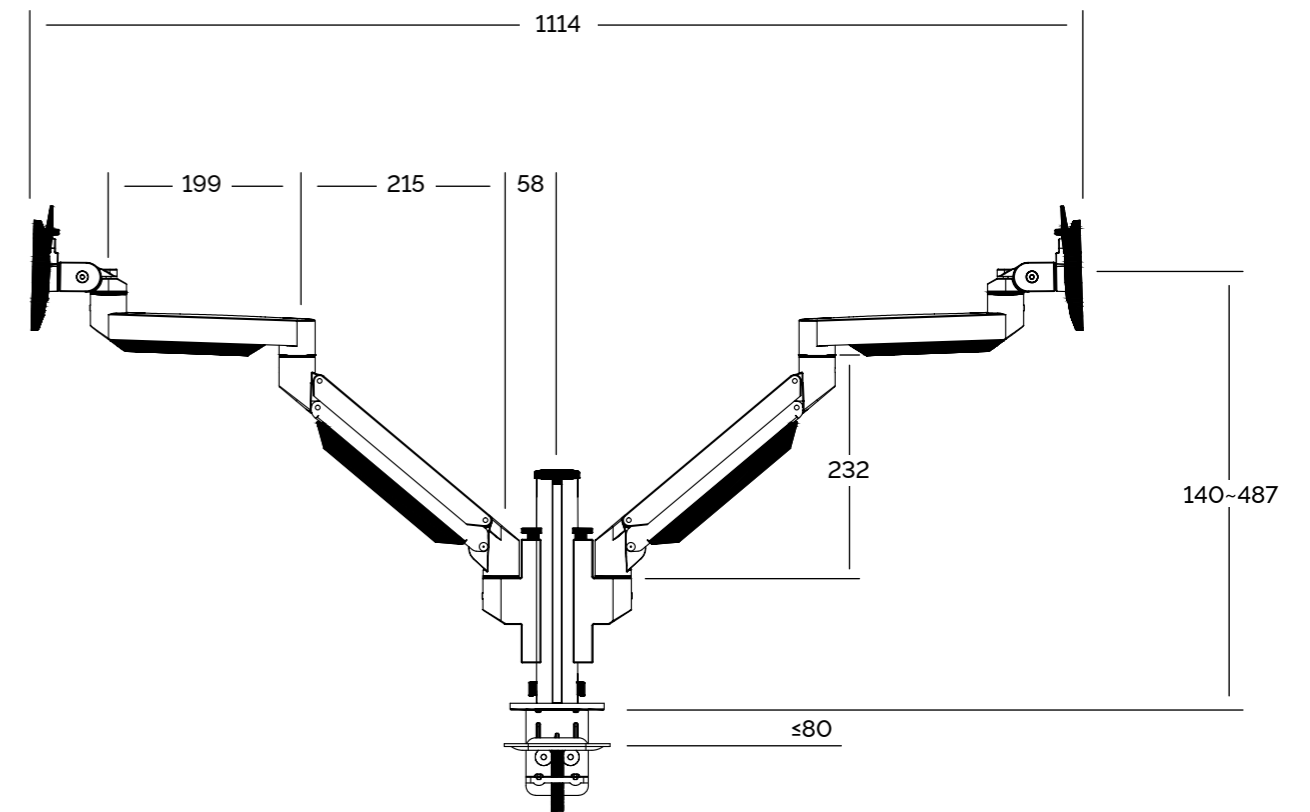
Weight capacity
2 - 12 kg



Adjustability
+/- 90 degrees rotation (landscape or portrait), 45 degrees swivel and tilt



Circular
100% recyclable and made of 98.8% sustainable materials




Configure your optimal Filex Galaxy


Dimensions are in mm


Filex Galaxy Triple


The Filex Galaxy monitor arm for 3 screens! One of our favorite configurations of the modular (and circular) Galaxy monitor arm series! Because of the static arm parts, which are fixed to the patented Galaxy Connector, this arm can easily be adjusted manually to any desired height. Also because of the ball joints in the VESA heads, this arm can immediately be adjusted to the correct ergonomic viewing angle! Both blade clamp and blade grommet are included.

-  810018-S - White
- 810019-S - Silver
- 810020-S - Black

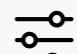
-  Parts
- 1 - Filex Galaxy Leaf Clamp
- 1 - Filex Galaxy leaf grommet
- 1 - Filex Galaxy Post 45cm
- 3 - Filex Galaxy Connector
- 6 - Filex Galaxy Straight
- 3 - Filex Galaxy VESA Head with quick-release

-  Rotation stop 180°
- Yes

-  Cable management
- Yes

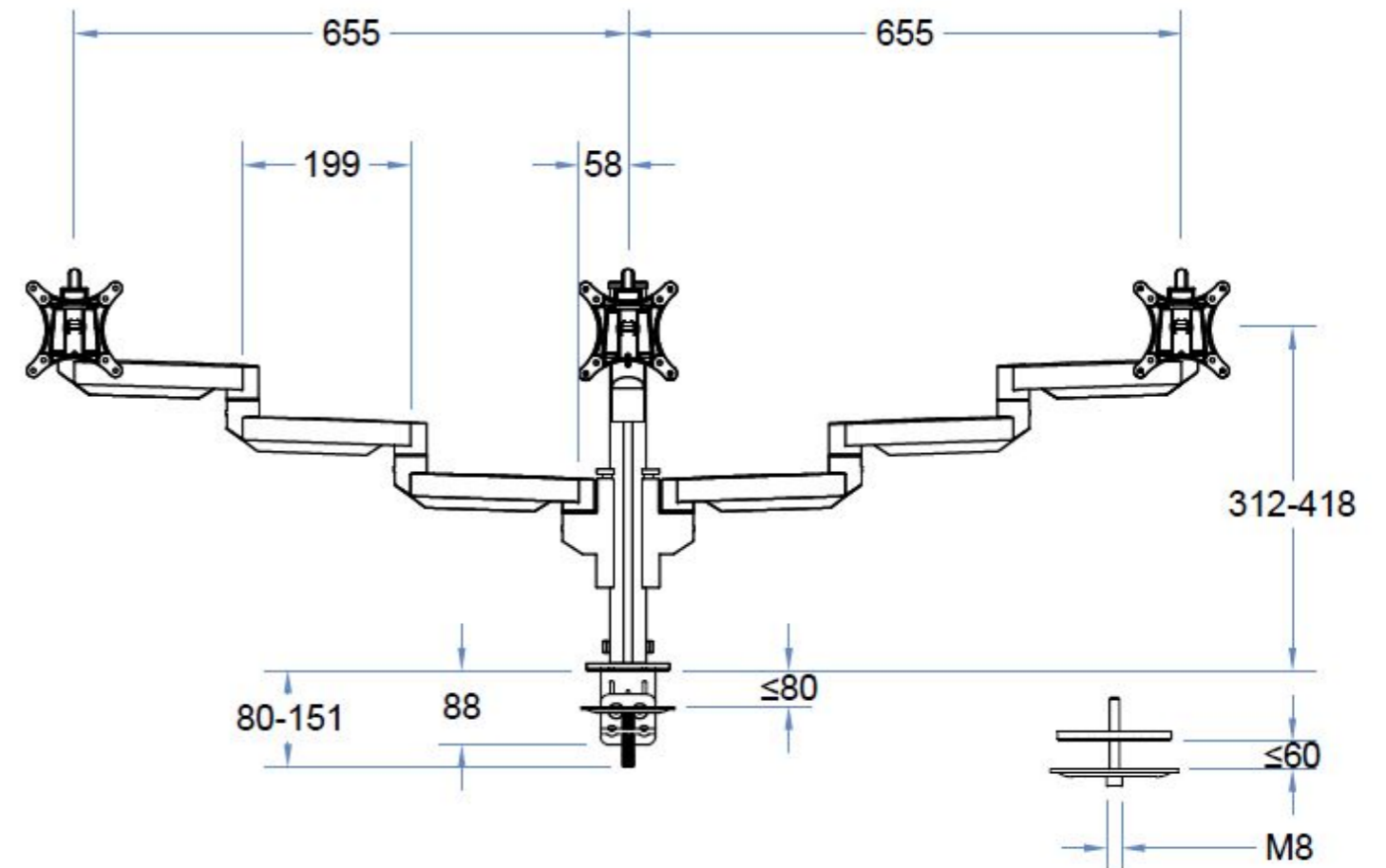
-  Number of displays
- 3

 Carrying capacity
2 - 12 kg

 Adjustability
+/- 90 degree rotation
(landscape or portrait), 45
degree swivel and tilt

 Circular
100% recyclable and
made of 98.8%
sustainable materials

Filex
Workspace Solutions



Filex
Workspace Solutions



Configure your optimal
Filex Galaxy

Dimensions are in mm

Filex Galaxy Double Gas Spring-Crossbar

Because of the handle and gas spring, the screens are completely infinitely adjustable. This is due to the patented and built-in 180 degree stop in the Connector on the Post. The Flexible VESA Head with quick release allows the monitors to tilt, rotate and swivel separately.



809426-S - White
809427-S - Silver
809428-S - Black



Parts
1 - Filex Galaxy Blade Clamp including Leaf grommet
1 - Filex Galaxy Angled arm section
1 - Filex Galaxy gas-sprung arm section
1 - Filex Galaxy VESA Head for crossbar
1 - Filex Galaxy Crossbar



Rotation stop 180°
Yes



Cable management
Yes



Number of monitors
2



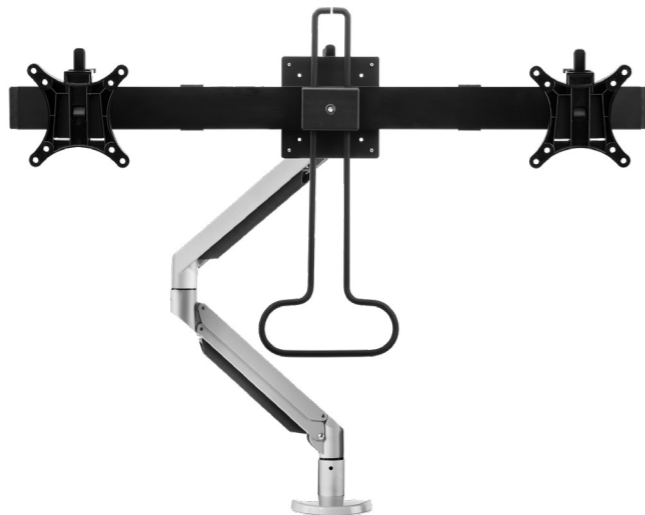
Weight capacity
2-12 kg



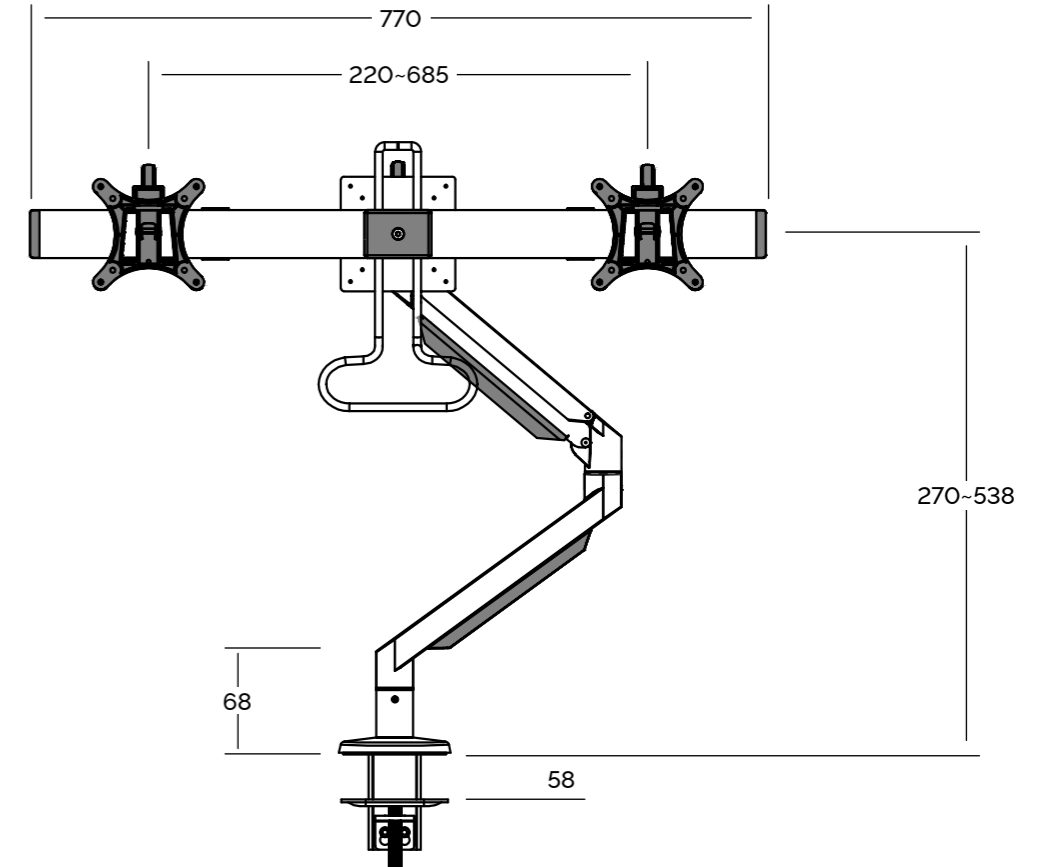
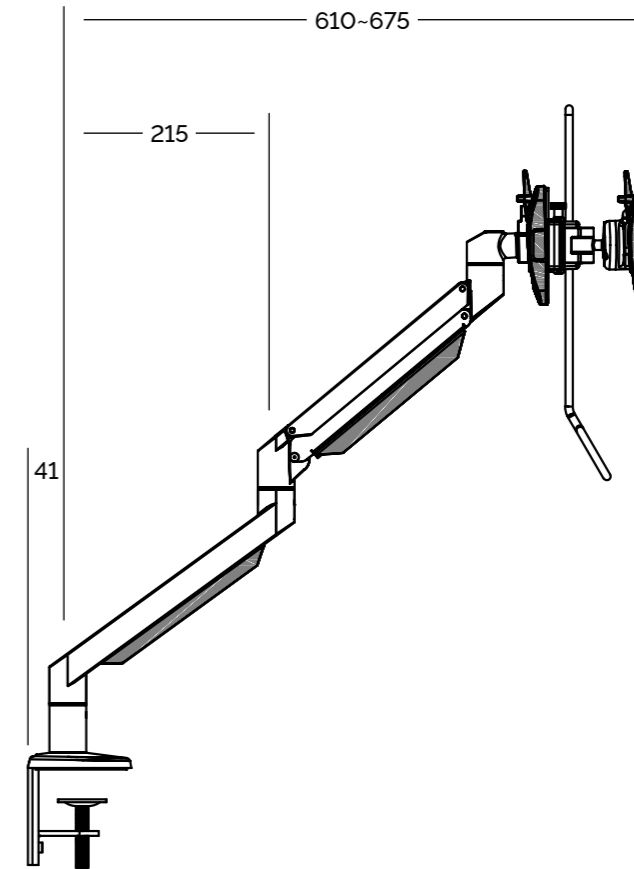
Adjustability
+/- 90 degree rotation (landscape or portrait), 45 degree swivel and tilt



Circular
100% recyclable and made from 98.8% sustainable materials

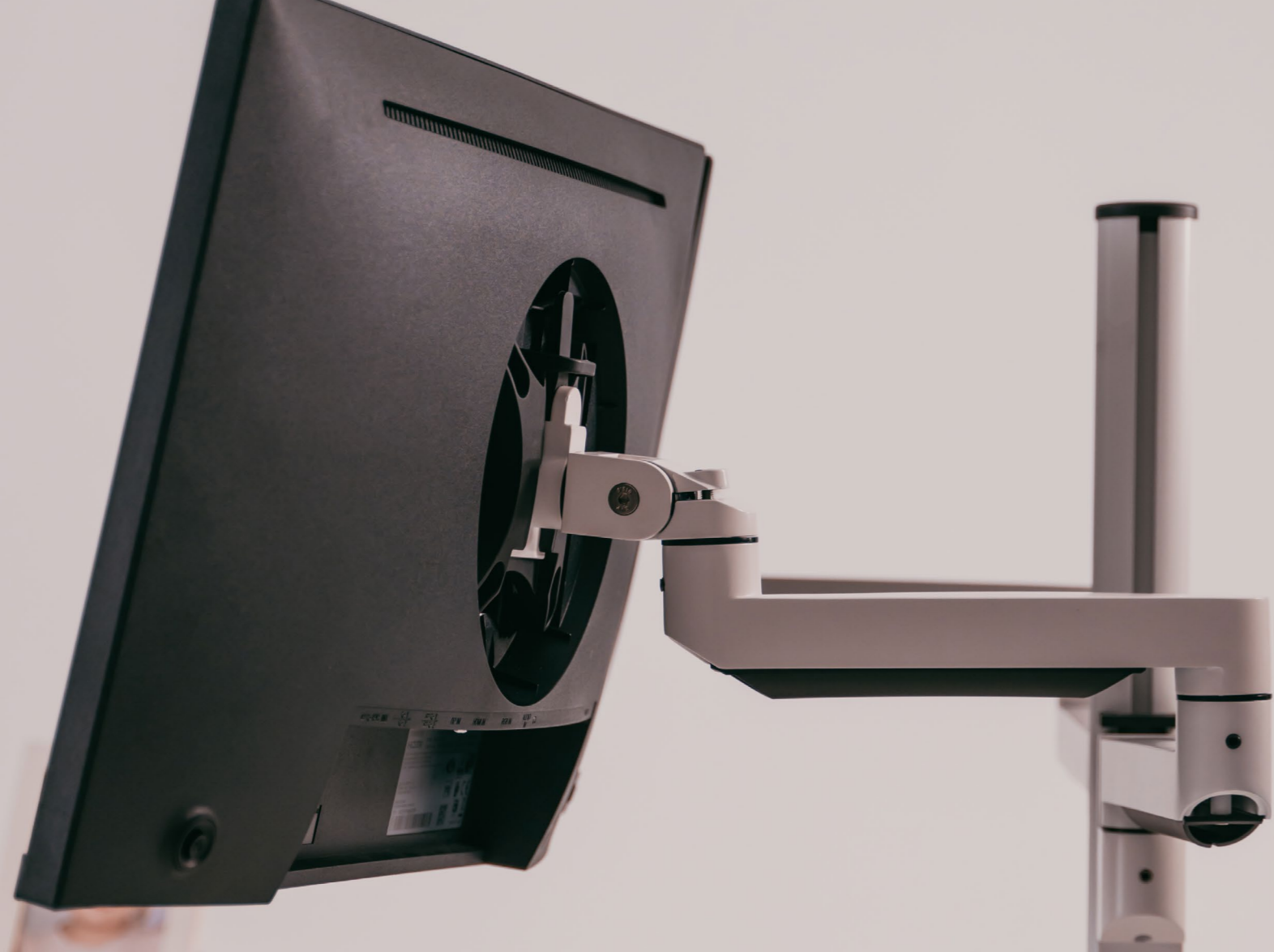


Filex
Workspace Solutions



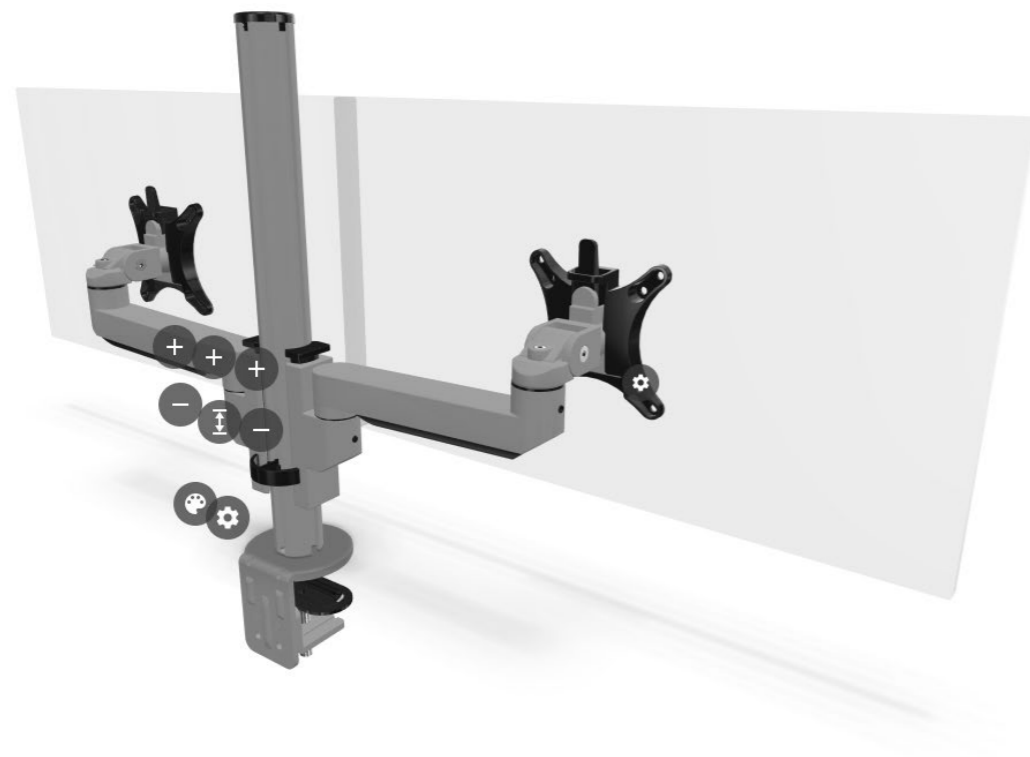
Configure your optimal
Filex Galaxy

Dimensions are in mm



Configure your optimal set up!

Electrificatie



With the technical development of laptops, tablets and smartphones, among others, good electrification at the work/meeting place is essential. This ensures the right possibilities for power, image, sound and data. Almost all electrification products from Filex are, besides being CE certified as required, also TÜV certified. Including a 5 year warranty.

A TÜV certificate/quality mark is a confirmation that the product, service, process or organization meets requirements set in legislation, standards and quality marks.

Filex electrification units are distinguished by their simplicity and flexibility. Electrification can be divided into 3 groups:

- Surface mounted, usually clamped to the worktop;
- Recessed, integrated into the worktop;
- Undermount, for in the cable tray or screwed under the worktop.



Recycling



Recycling rate

Stage of reusability Score	Score	Status
Product reuse	0%	Circular
Recovery raw material	98%	Circular
Other material reuse	2%	Circular
Incineration with energy production	0%	Non-circular
Incineration without energy production	0%	Undesirable
Deposit	0%	Undesirable



Download the circular certificate here

Need inspiration for your own modular workspace?

Our biggest fan, Robert, dreams about what he would have liked to be later. Whether his dreams are big or small; Filex can provide you with the right setup. From monitor arms for 1 screen to 6 screens, complete Control Room setups or for you as a fanatical gamer with large curved screens; it's quick and easy to realize with the Filex Galaxy modular monitor arm!

Wondering how the Filex Galaxy series helps Robert make all these dreams come true?



Watch our inspiration video here



Follow us on our social media as well!



